

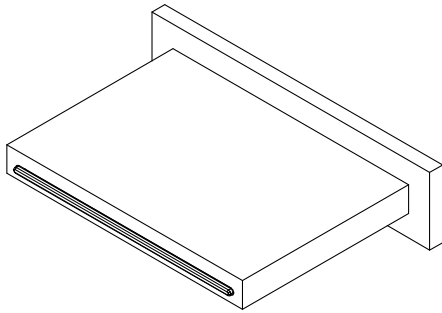
CFB.2250 | Waterfall / Cascade Flow Tub Filler

SPECIFICATIONS:

- Stainless Steel Construction
- 1/2" NPT Male connection
- Flow Rate: 11 GPM @ 60 PSI

STANDARDS:

- ASME A112.18.1 / CSA B125.1



Technical Diagram

