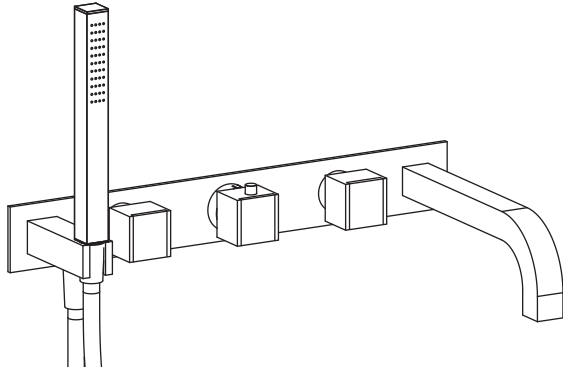


**150.2691 | Wall Mount Tub Filler Valve & Trim - 2 Volume Controls - 3/4" Thermostatic  
[Tub Spout & Hand Shower Outputs]**



**SPECIFICATIONS:**

- Wall Mount Tub Filler
- Spout Projection = 9"
- Turn center knob to set temperature
- Turn right knob to activate output 1 - Hand Shower
- Turn left knob to activate output 2 - Tub Spout
- Thermostatic Valve Flow Rate - 8.0 GPM @ 60 PSI
- Hand Shower & Tub Spout positions can be swapped

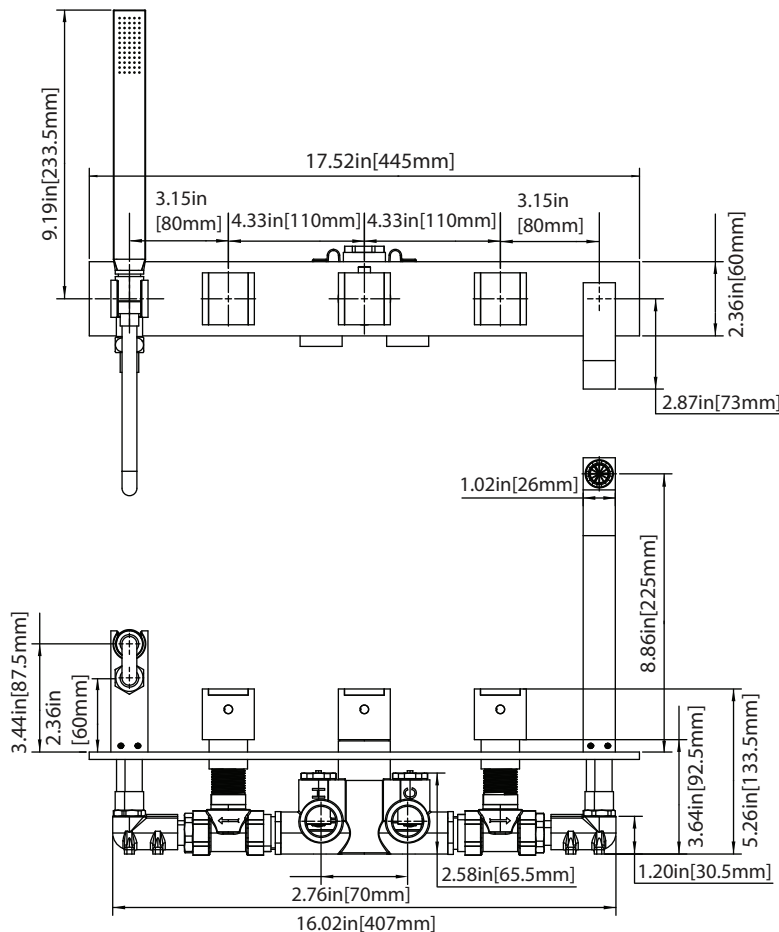
**STANDARDS:**

- ASME A112.18.1 / CSA B125.1

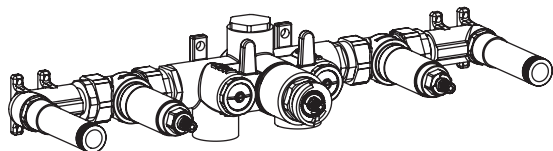
150.2691 Includes Valve [TVH.2691] + Trim [150.2691T\*\*]

**!** See Spec Sheet For TVH.2691 For Detailed Information On Valve.

**Technical Diagram**



**TVH.2691 | 3/4" Thermostatic Tub Filler Valve With 2 Volume Controls [Tub Spout & Hand Shower Output]** Page 1 of 2



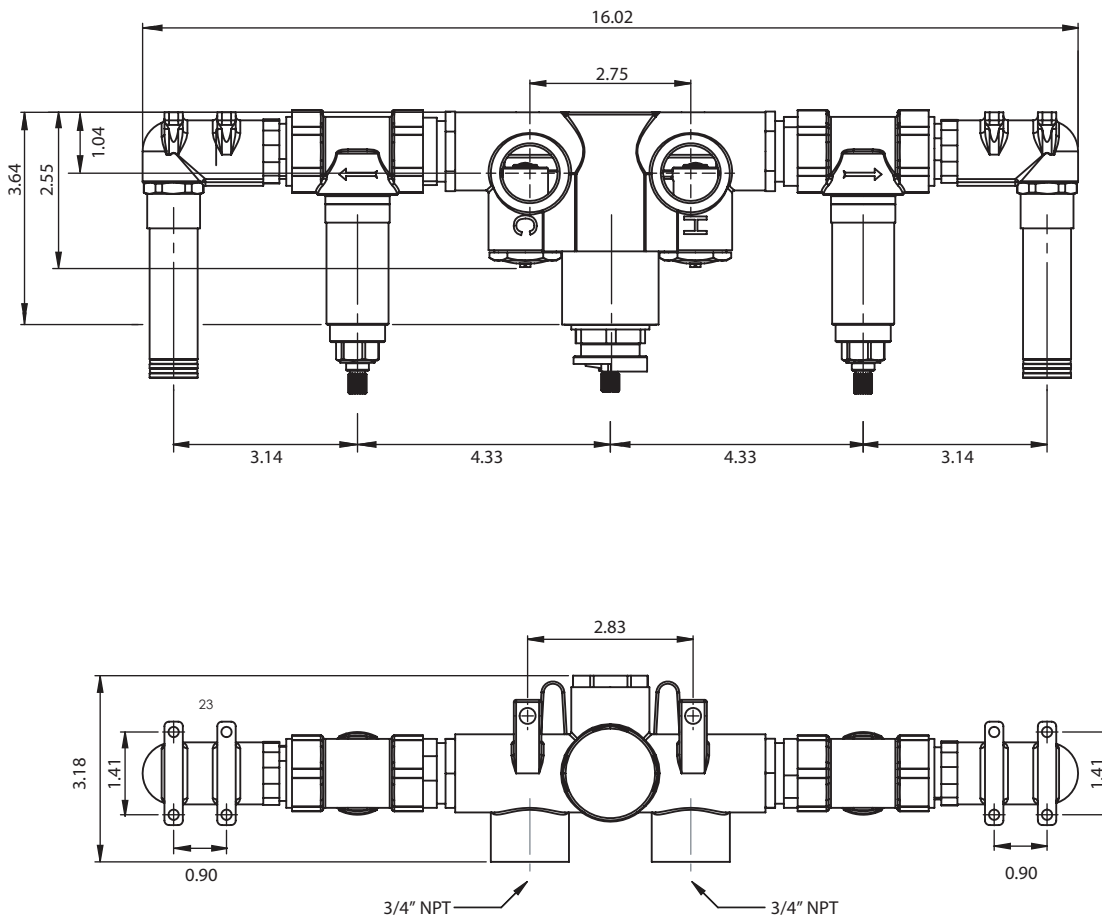
**SPECIFICATIONS:**

- Wall Mount Tub Filler
- Turn center knob to set temperature
- Turn right knob to activate output 1 - Hand Shower
- Turn left knob to activate output 2 - Tub Spout
- Thermostatic Valve Flow Rate - 8.0 GPM @ 60 PSI
- Extension Available - TVH.2691E\*\*

**STANDARDS:**

- ASME A112.18.1 / CSA B125.1

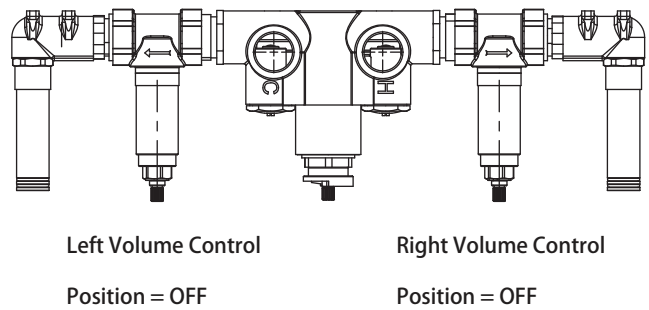
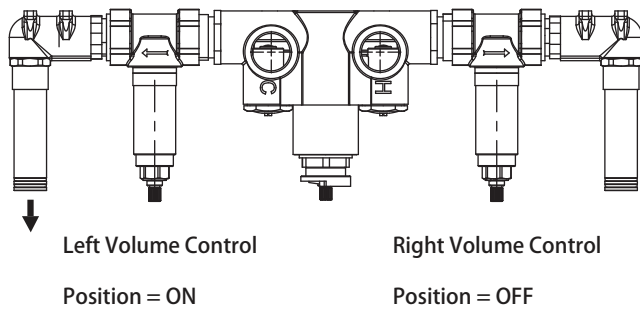
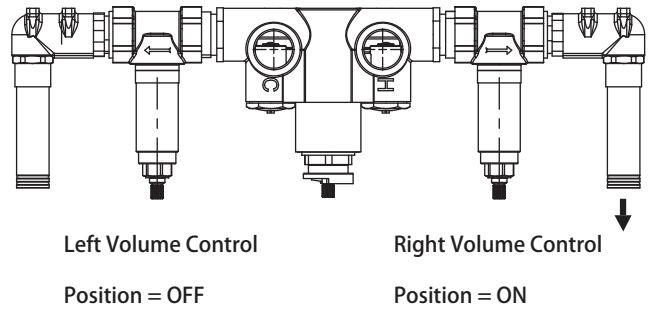
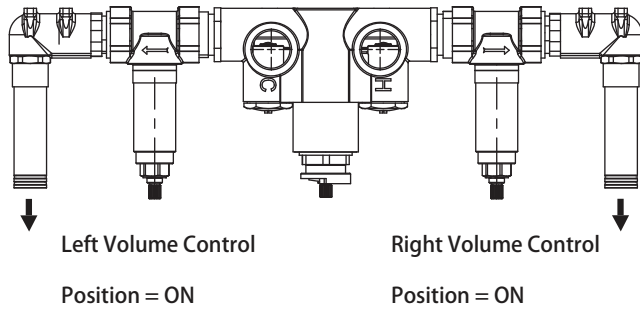
**Technical Diagram**



TVH.2691 | 3/4" Thermostatic Tub Filler Valve With 2 Volume Controls [Tub Spout & Hand Shower Output] Page 2 of 2



**Water Diversion Diagram**



**Extension Kits\***

- (a) Thermostatic Handle Extension - TVH.E185CP - Chrome  
TVH.EA07BN - Brushed Nickel
- (b) Volume Control Handle Extension - TVH.E137
- (c) Water Output Extension - TVH.E399

\* QTY = 1 of 'a', QTY = 2 of 'b' and QTY = 2 of 'c' above needed for complete valve extension