

**150.2410 | 3-Hole Roman Tub Faucet**

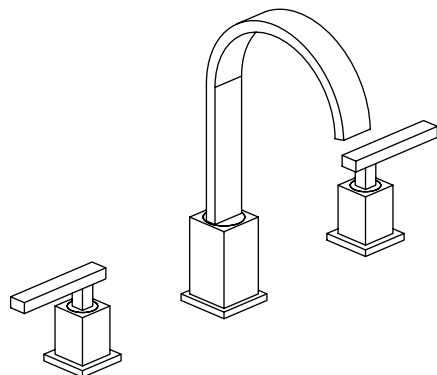


**SPECIFICATIONS:**

- Solid Brass construction
- Three Hole Installation
- 7.0 GPM Flow Rate @ 60 PSI
- Ceramic disc cartridge allows volume control
- Standard 1 3/8" hole diameter

**STANDARDS:**

- ASME A112.18.1 / CSA B125.1



**Technical Diagram**

