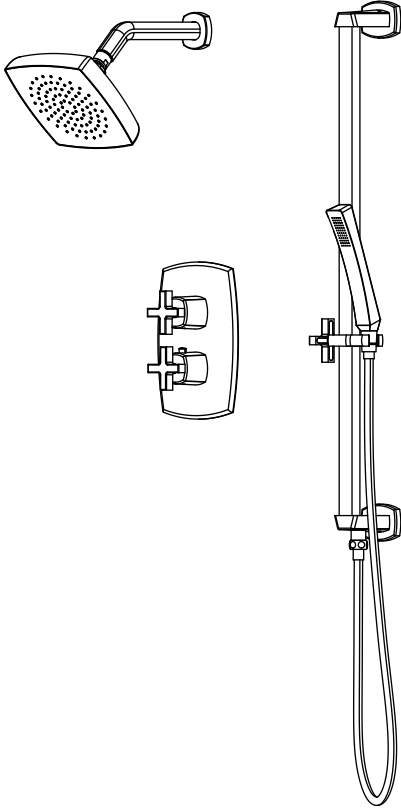


---

## SER.7100 | Two Output Shower Set W/ Rain Shower, Hand Shower & Slide Bar



### COMPONENTS

- JHW.7C - 7" Head w/ 8" Arm
- SER.4000T - Shower Trim
- JVH.4420F - Shower Valve
- HH1026H - Hand Held
- SER.601005A - Slide Bar
- HH.150EM - 1.5m Hose

### SHOWER VALVE:

- Thermostatic shower valve
- Valve includes service stops
- Turn bottom handle to set temp.
- Top handle controls water diversion
- Includes 15109 non-shared cartridge

### SHOWER HEAD:

- Solid brass construction
- 11 LPM flow rate

### HAND HELD W/ SLIDE BAR & ELBOW:

- Solid Brass construction
- Hand held flow rate = 6 LPM
- 1/2" male elbow connection
- With back flow prevention check valve

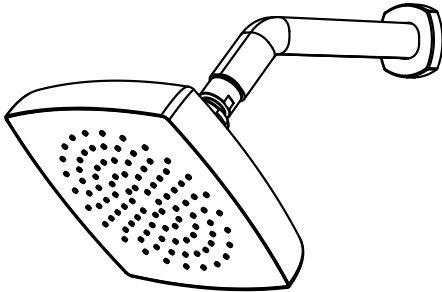
---

See individual component specification sheets on following pages for further details.

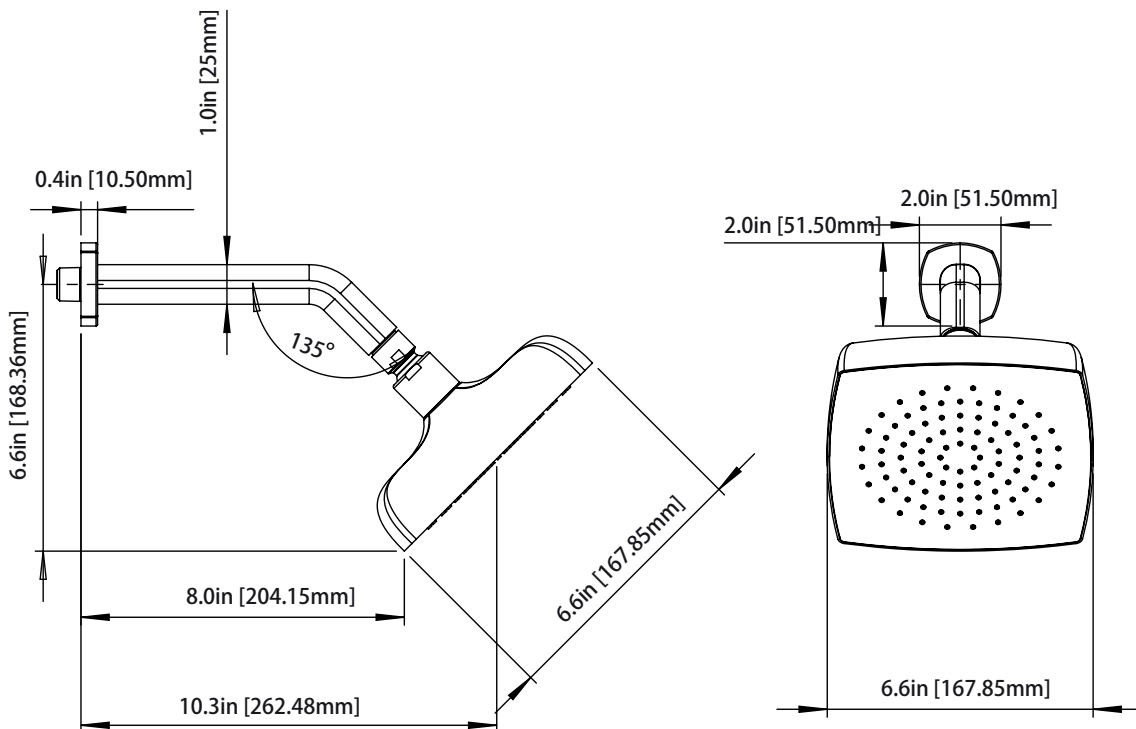
**JHW.7C | 7" Brass Shower Head With 8" Wall Mounted Shower Arm**

**SPECIFICATIONS:**

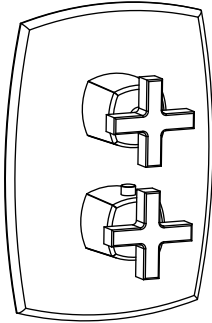
- Solid Brass construction
- With Swivel action
- Shower arm has sliding flange



**Technical Diagram**



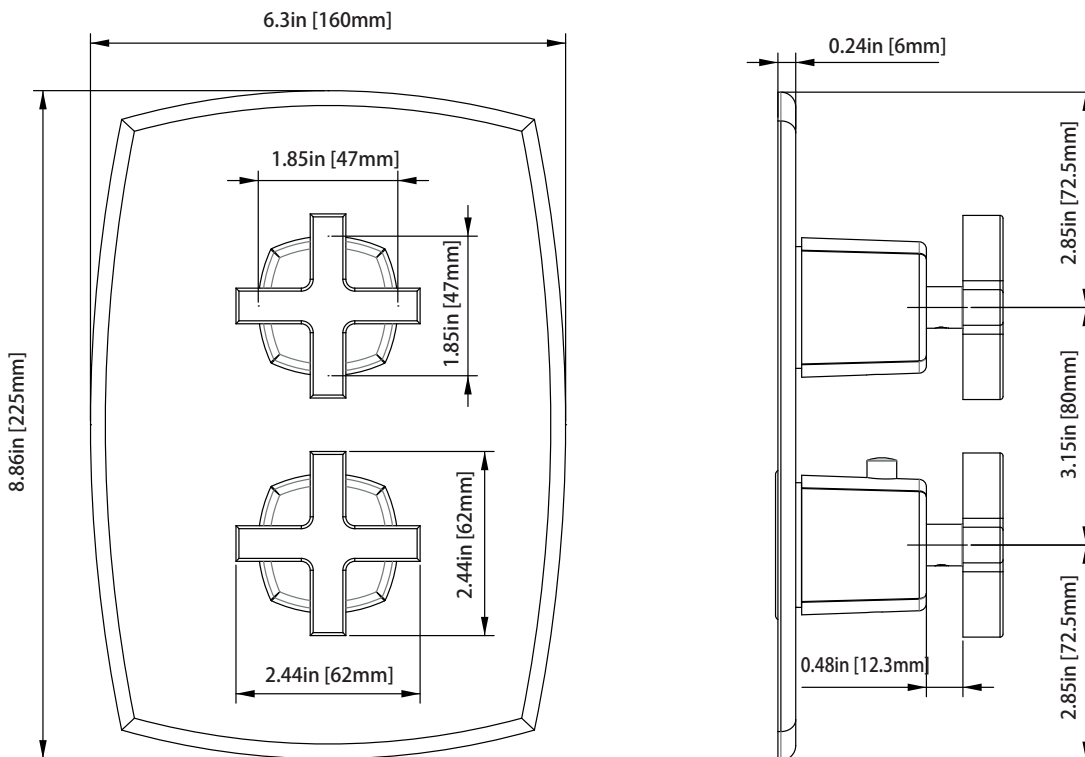
SER.4000T | Thermostatic Shower Trim



SPECIFICATIONS:

- Solid Brass Construction
- Valve not included - Trim only
- Turn bottom handle to control temperature.
- Turn top handle to control volume.

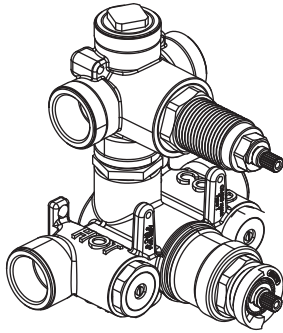
Technical Diagram



JVH.4420F | 3/4" Thermostatic Mixer Valve - 2 Output Page 1 of 2

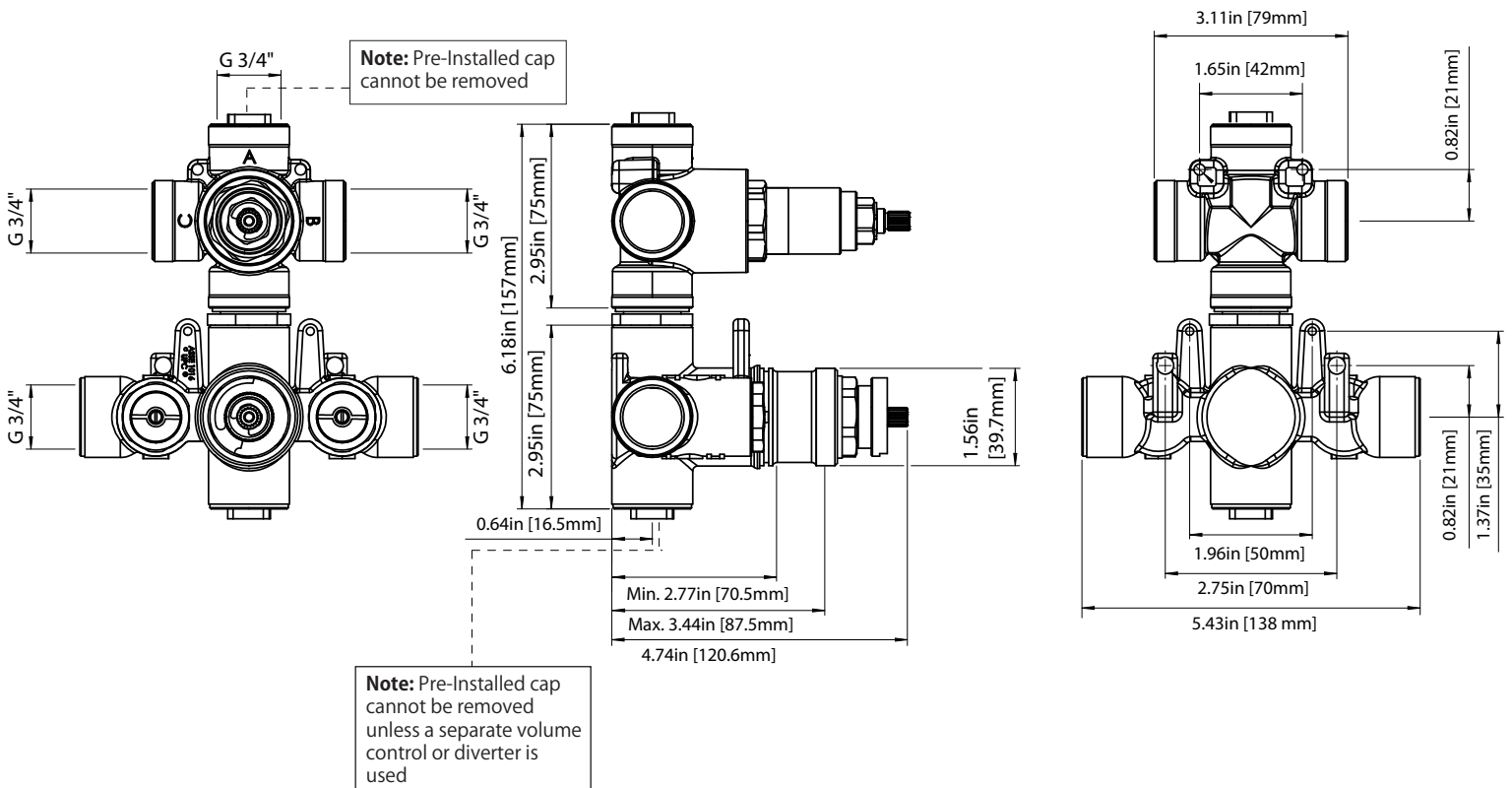
**SPECIFICATIONS:**

- Turn bottom knob to control temperature.
- Turn top knob to control water flow.
- Thermostatic Valve Flow Rate - 22 LPM @ 3 BAR
- Extension Available - JVH.4101E\*\*



**!** A separate volume control is **not** needed to turn water supply off. Volume control functionality is integrated within this valve.

**Technical Diagram**



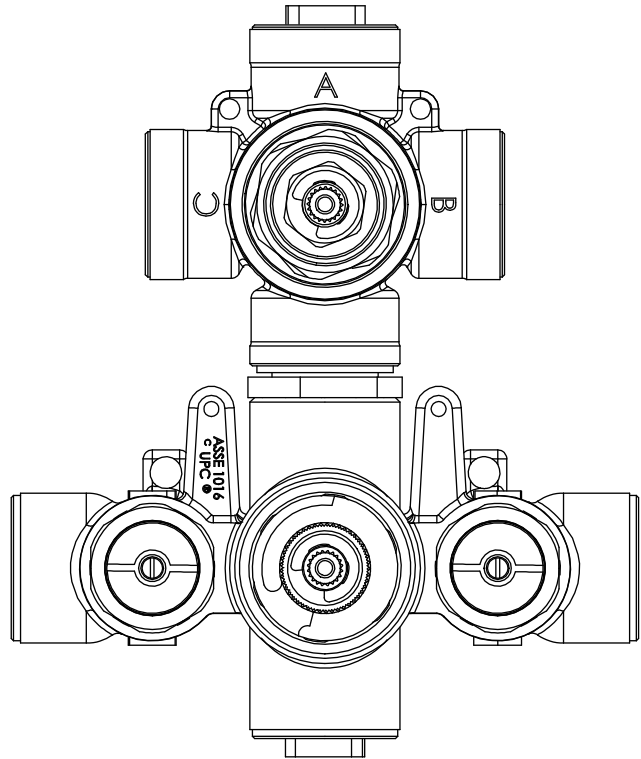
**JVH.4420F | 3/4" Thermostatic Mixer Valve - 2 Output** Page 2 of 2

**TWO OUTPUT - NO SHARED PORT OPERATION**

Diverter Cartridge # - **15109** (Included)

Total 3 Positions as defined below, with **only** 1 port active at one time.

- Position 0 - Off - No Water Flow
- Position 1 - Output B Activated
- Position 2 - Output C Activated



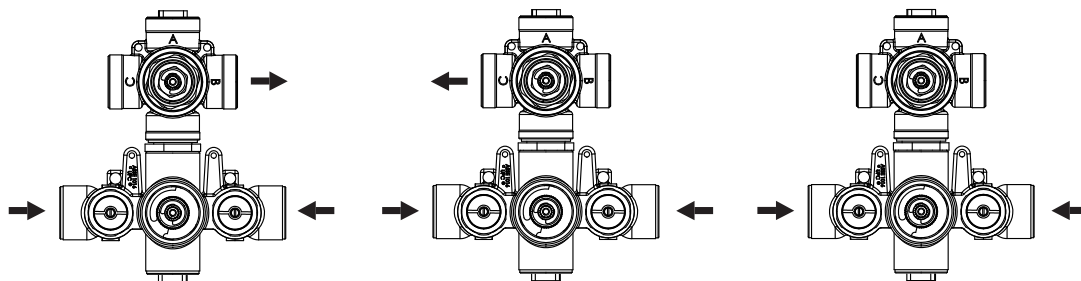
**TWO OUTPUT - SHARED PORT OPERATION**

Diverter Cartridge # - **15103** (Not Included)

Total 4 Positions as defined below, with 2 ports active at one time.

- Position 0 - Off - No Water Flow
- Position 1 - Output B Activated
- Position 2 - Output B+C Activated
- Position 3 - Output C Activated

**Water Diversion Diagram**



Diverter Position = 1

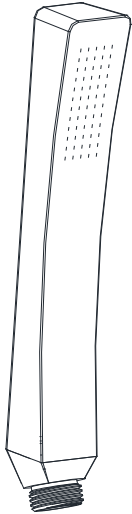
Diverter Position = 2

Diverter Position = off

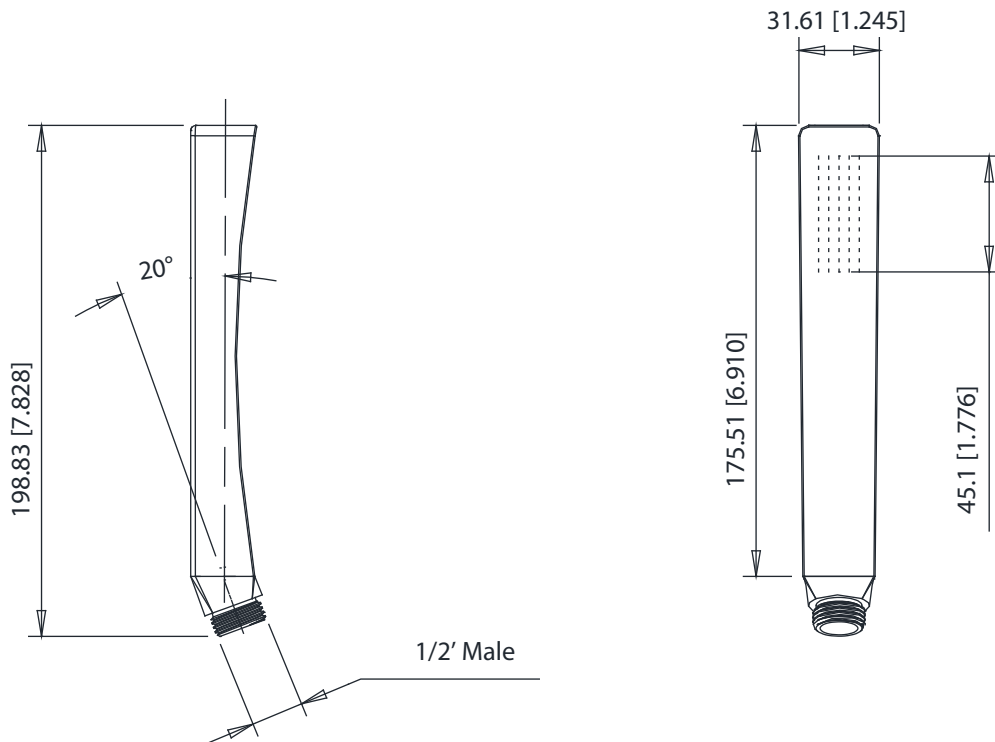
**HH1026H | Solid Brass Hand Shower**

**SPECIFICATIONS:**

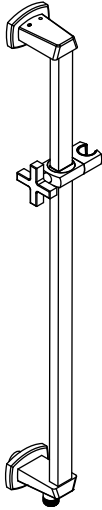
- Solid Brass Construction
- 6 LPM Flow Rate
- With back flow prevention check valve



**Technical Diagram**



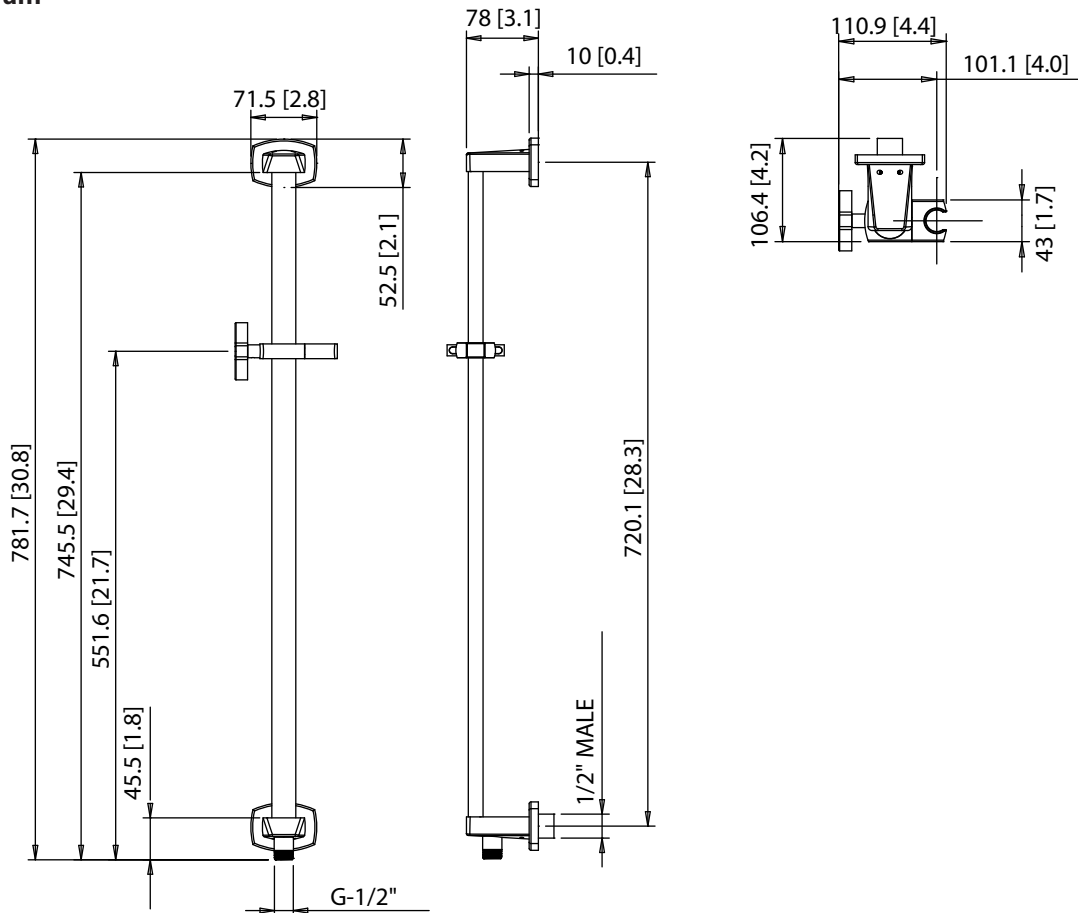
SER.601005A | Slide Bar With Built In Supply Elbow



SPECIFICATIONS:

- Solid Brass construction
- 1/2" male connection with adjustable slide on installation
- Includes check valve with back-flow prevention

Technical Diagram



HH.150EM | Easy Maneuver Hose



SPECIFICATIONS:

- Stainless steel construction
- G-1/2" connection
- 1.5m length

Technical Diagram

