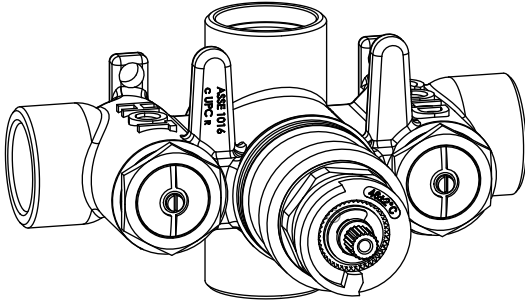




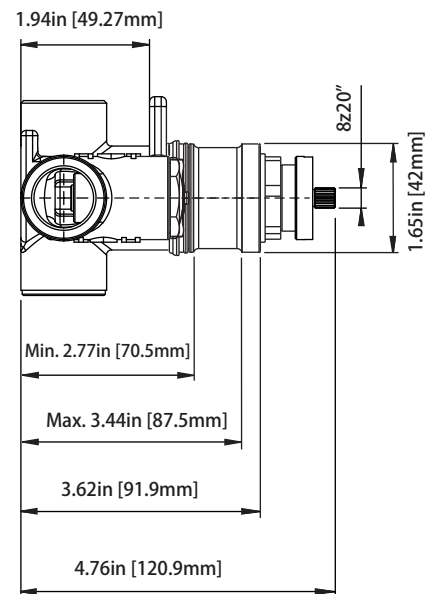
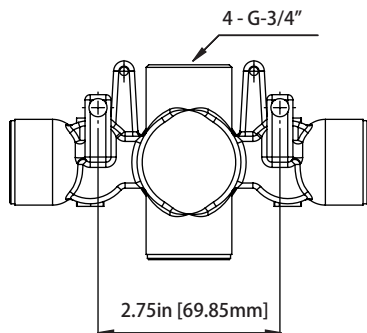
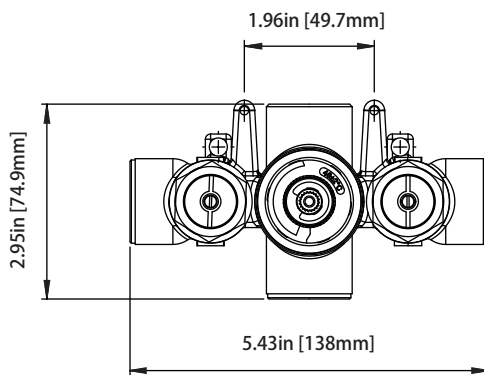
JVH.4201 | 3/4" Thermostatic Mixer Valve Page 1 of 2

SPECIFICATIONS:

- Turn knob to control temperature.
- Thermostatic Valve Flow Rate - 36 LPM @ 3 BAR



Technical Diagram



---

JVH.4201 | 3/4" Thermostatic Mixer Valve Page 1 of 2

Water Flow Diagram

