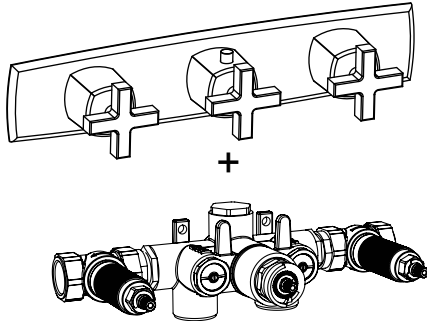


SER.2715 | Horizontal Thermostatic Mixer with 2 Volume Controls - 3/4"

SPECIFICATIONS:

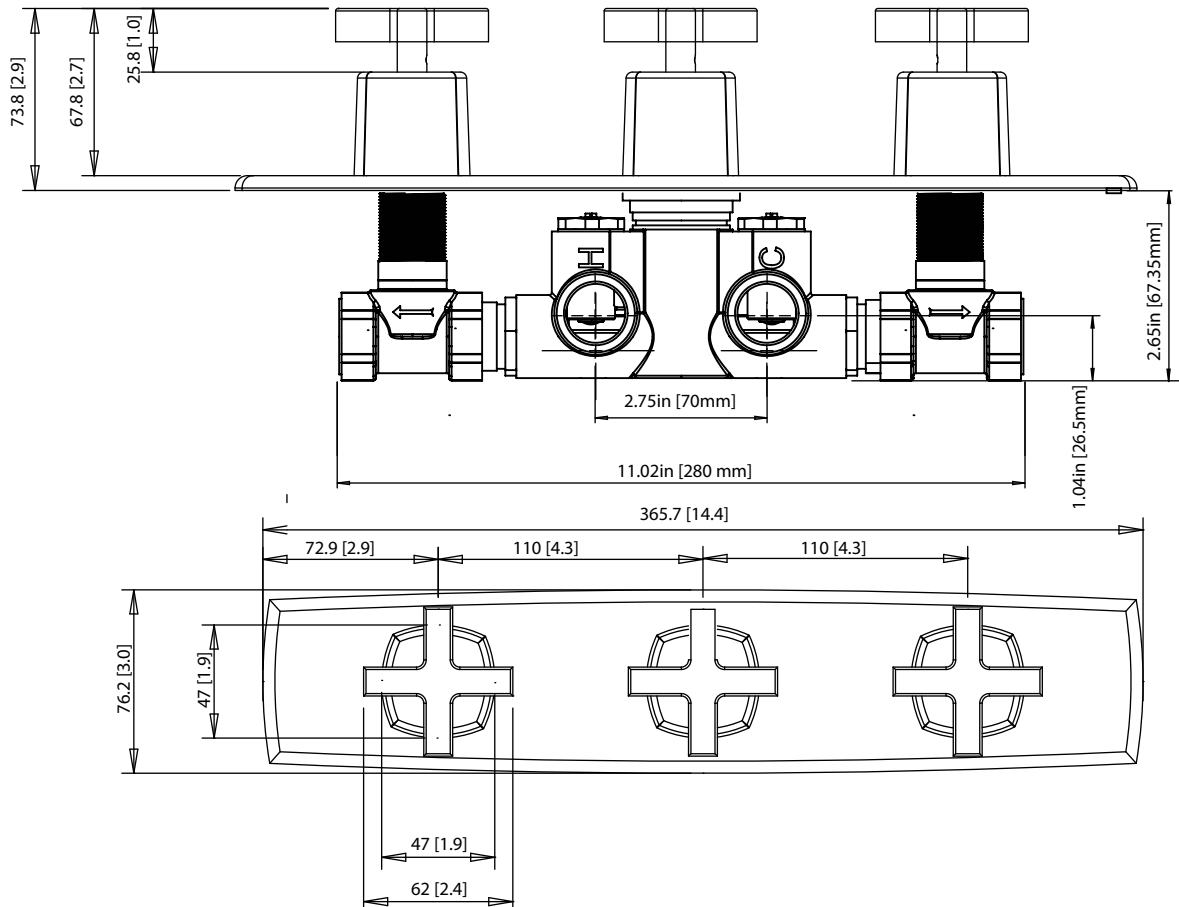
- Solid Brass construction
- Two output
- Center knob controls temperature
- Left and right knob controls volume
- Use in tub filler or shower applications
- Thermostatic Valve Flow Rate - 22 LPM @ 3 BAR



Includes Valve [JVH.2715] + Trim [SER.2715T**]

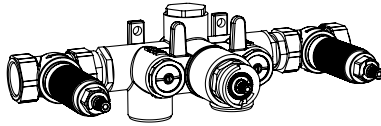
! See Spec Sheet For JVH.2715 For Detailed Information On Valve.

Technical Diagram



TVH.2715| 3/4" Thermostatic Mixer Valve - 2 Output

SPECIFICATIONS:



- Solid Brass construction
- Two output
- Center knob controls temperature
- Left and right knob controls volume
- Use in tub filler or shower applications
- Thermostatic Valve Flow Rate - 22 LPM @ 3 BAR
- Extension Available - JVH.4401E**

Technical Diagram

