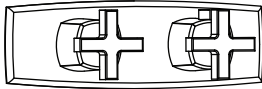
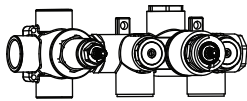


SER.2705 | Horizontal Thermostatic Mixer with 3 Output Valve - 3/4"
Volume Control

SPECIFICATIONS:



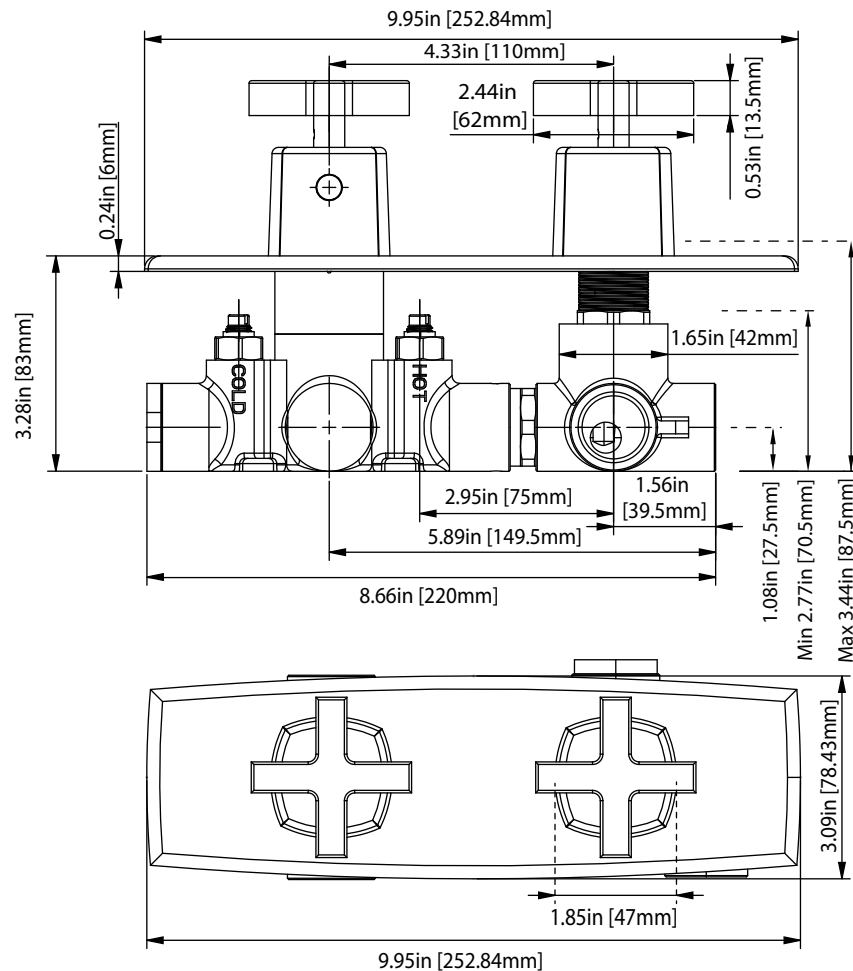
+



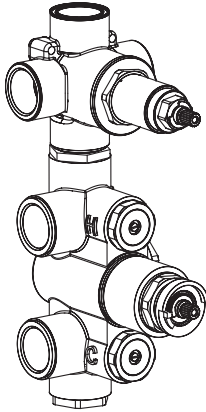
Valve [JVH.2705F] + Trim [SER.2693T**]

- Turn right knob to control temperature.
- Turn left knob to control water flow.
- Thermostatic Valve Flow Rate - 22 LPM @ 3 BAR
- Extension Available - JVH.4101E**
- 3 Output

Technical Diagram



JVH.2705F | 3/4" Thermostatic Mixer Valve - 3 Output Page 1 of 2

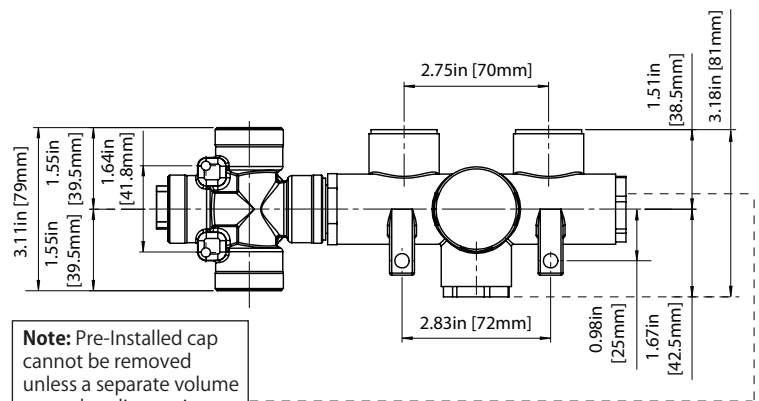
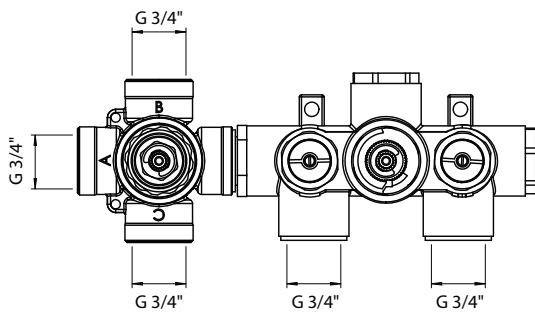


SPECIFICATIONS:

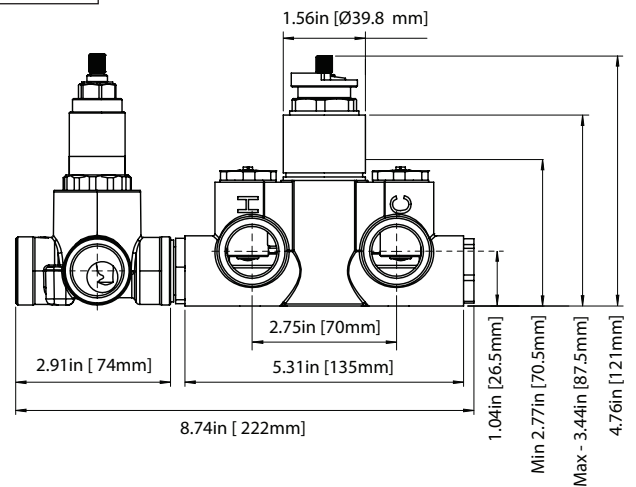
- Turn bottom knob to control temperature.
- Turn top knob to control water flow.
- Horizontal or Vertical install compatible.
- Thermostatic Valve Flow Rate - 22 LPM @ 3 BAR
- Extension Available - JVH.4101E**

! A separate volume control is **not** needed to turn water supply off. Volume control functionality is integrated within this valve.

Technical Diagram



Note: Pre-Installed cap cannot be removed unless a separate volume control or diverter is used



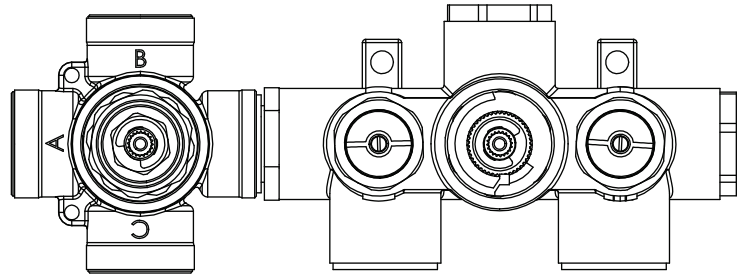
JVH.2705F | 3/4" Thermostatic Mixer Valve - 3 Output Page 1 of 2

THREE OUTPUT - NO SHARED PORT OPERATION

Diverter Cartridge # - **15100** (Included)

Total 6 Positions as defined below, with **only** 1 port active at one time.

- Position 0 - Off - No Water Flow
- Position 1 - Output B Activated
- Position 2 - Off - No Water Flow
- Position 3 - Output A Activated
- Position 4 - Off - No Water Flow
- Position 5 - Output C Activated



THREE OUTPUT - SHARED PORT OPERATION

Diverter Cartridge # - **15200** (Not Included)

Total 6 Positions as defined below, with 2 ports active at one time.

- Position 0 - Off - No Water Flow
- Position 1 - Output B Activated
- Position 2 - Output B+A Activated
- Position 3 - Output A Activated
- Position 4 - Output C+A Activated
- Position 5 - Output C Activated