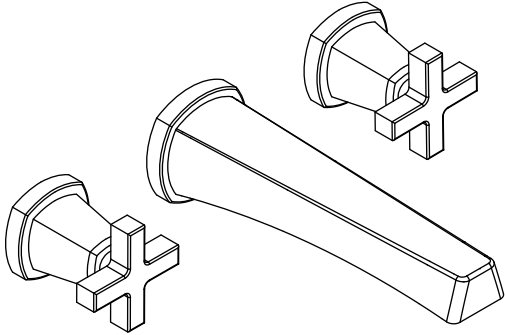


SER.1950 | Two Handle Wall Mounted Basin Mixer

SPECIFICATIONS:

- Solid Brass construction - includes valve (RLM.1900)
- Three Hole Installation
- 6 LPM @ 3 BAR
- Extension Available -SER.1950E**



FLOW
Efficient

Technical Diagram

