

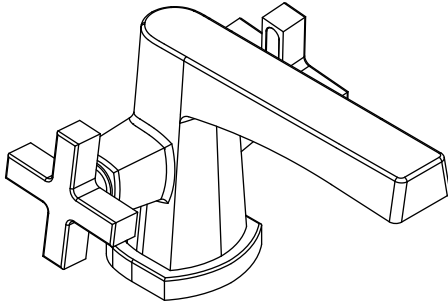
SER.1000 | Dual Lever Basin Mixer

SPECIFICATIONS:

- Solid Brass construction
- Single Hole Installation
- 6 LPM Flow Rate @ 3 BAR



Drain Included



Technical Diagram

