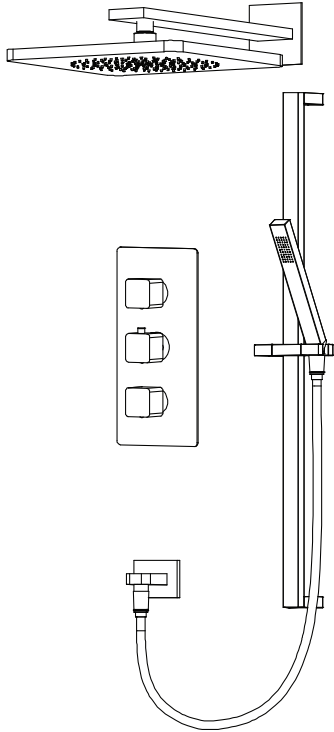


196.7200 | Two Output Shower W/ Rain Head & Hand Held



COMPONENTS

- HS1060 - 16" Shower Arm
- HSB.12C - 12" Shower Head
- 196.4401T - Shower Trim
- TVH.4401 - Shower Valve
- HS1006H - Hand Held
- 196.5505 - Wall Elbow
- SP.150EM - 1.5m Hose
- 160.601003A - Slide Bar

SHOWER VALVE:

- Thermostatic shower valve
- Valve includes service stops
- Bottom handle controls handheld
- Top handle controls shower head
- Middle handle controls temperature
- Shared port operation

SHOWER HEAD:

- Solid brass construction / 1.8 GPM

HAND HELD W/ SLIDE BAR & ELBOW:

- Solid Brass construction
- Hand held flow rate = 1.8 GPM
- 1/2" female NPT elbow connection
- With back flow prevention check valve

STANDARDS:

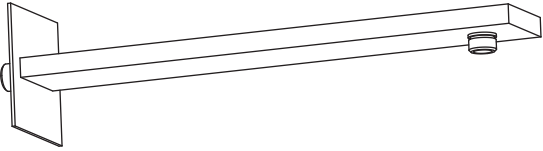
- ASME A112.18.1 / CSA B125.1

See individual component specification sheets on following pages for further details.

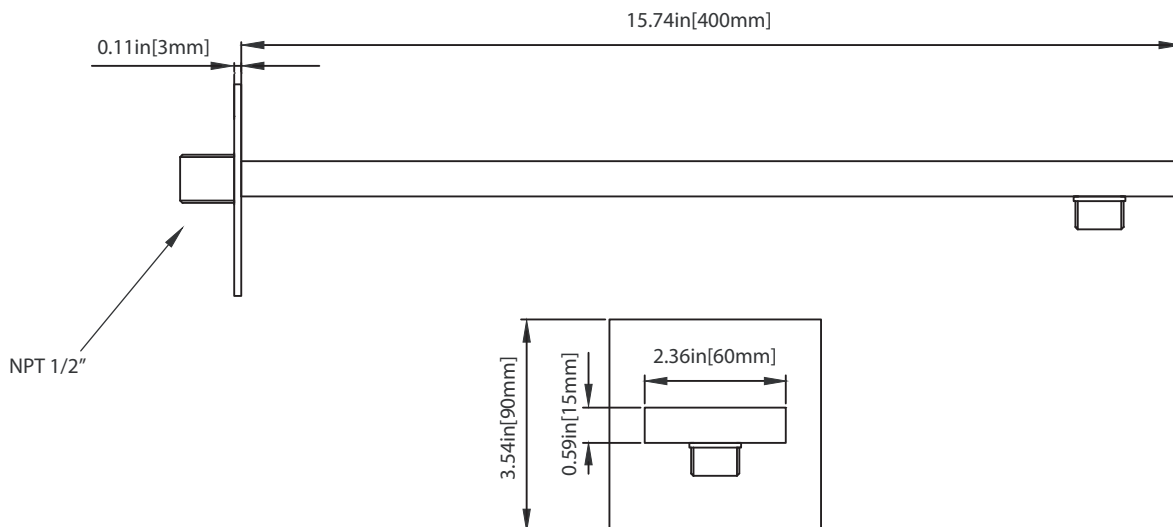
HS1060 | Square Shower Arm - 16"

SPECIFICATIONS:

- Solid Brass Shower Arm
- With Sliding Flange



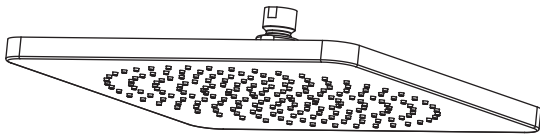
Technical Diagram



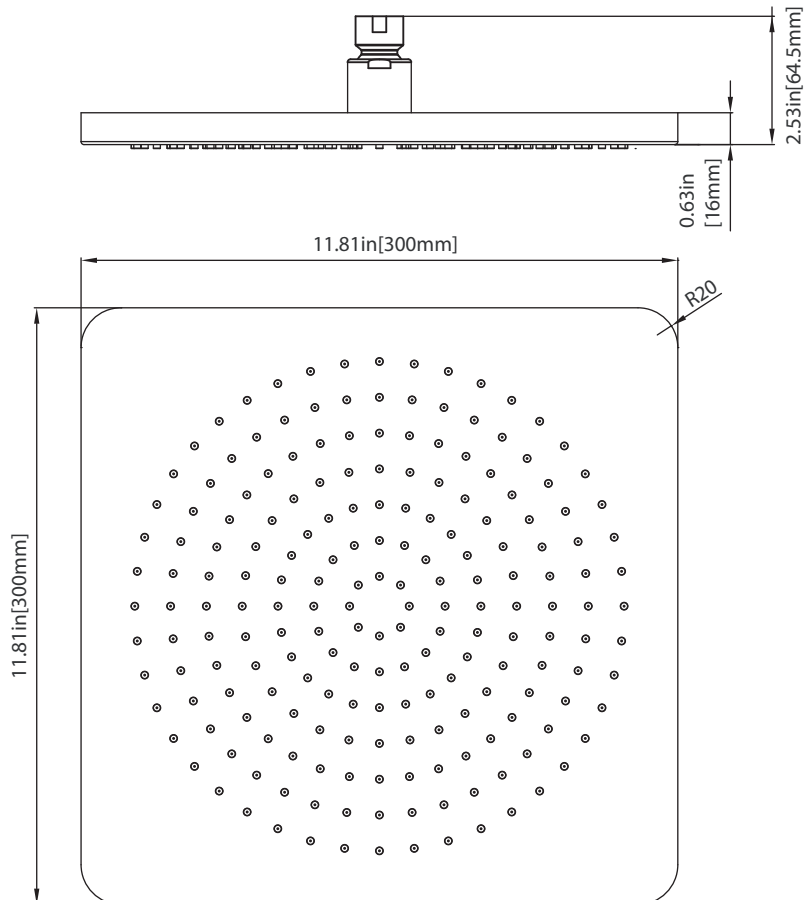
HSB.12C | 12" Brass Shower Head

SPECIFICATIONS:

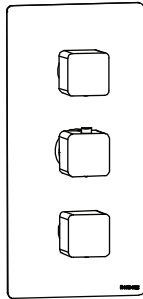
- Solid Brass Shower Head
- Scrub rubber nozzles to easily clean water sediment
- 1.8 GPM Flow Rate
- 196 Nozzles



Technical Diagram



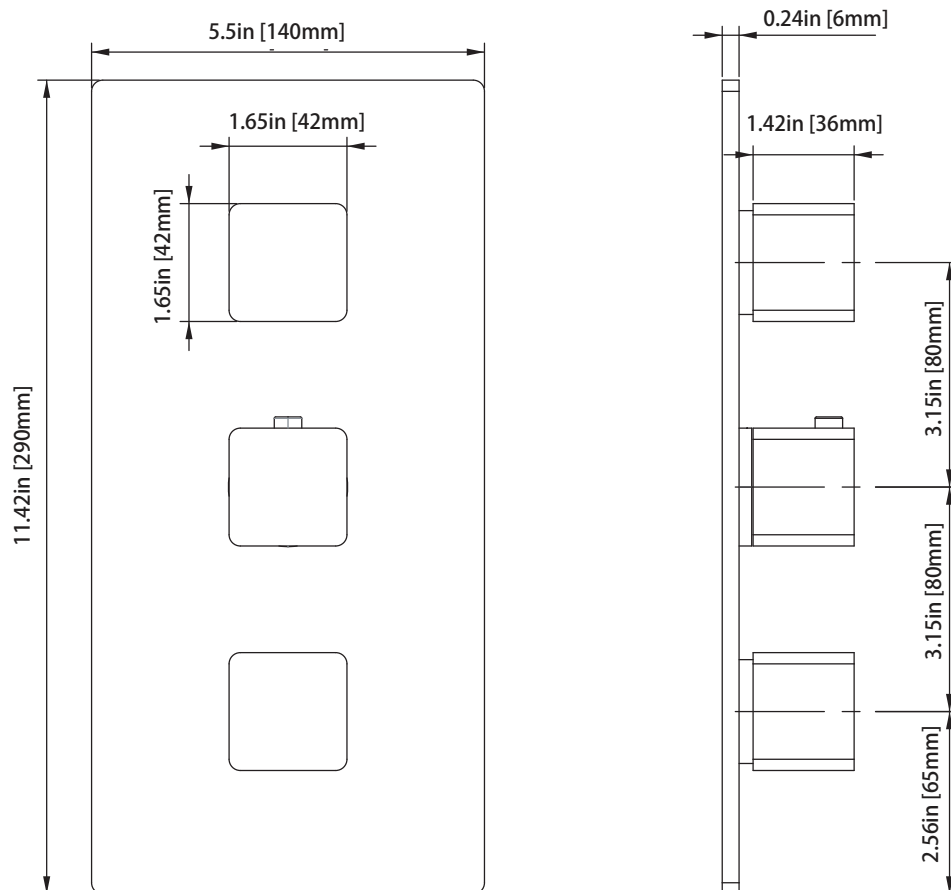
196.4500T | Thermostatic Shower Trim



SPECIFICATIONS:

- Solid Brass construction
- Trim only - valve not included
- Turn middle knob to control temperature.
- Turn top knob to divert water flow between two top outlets.
- Turn bottom knob to control water flow of bottom outlet.
- Extension Available - TVH.4401E**

Technical Diagram



TVH.4401 | 3/4" Thermostatic Valve With 2 Independent Volume Controls Page 1 of 2

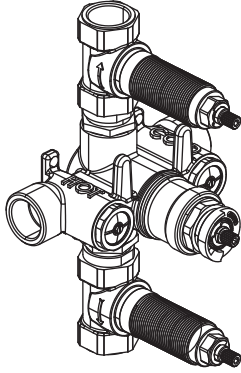


SPECIFICATIONS:

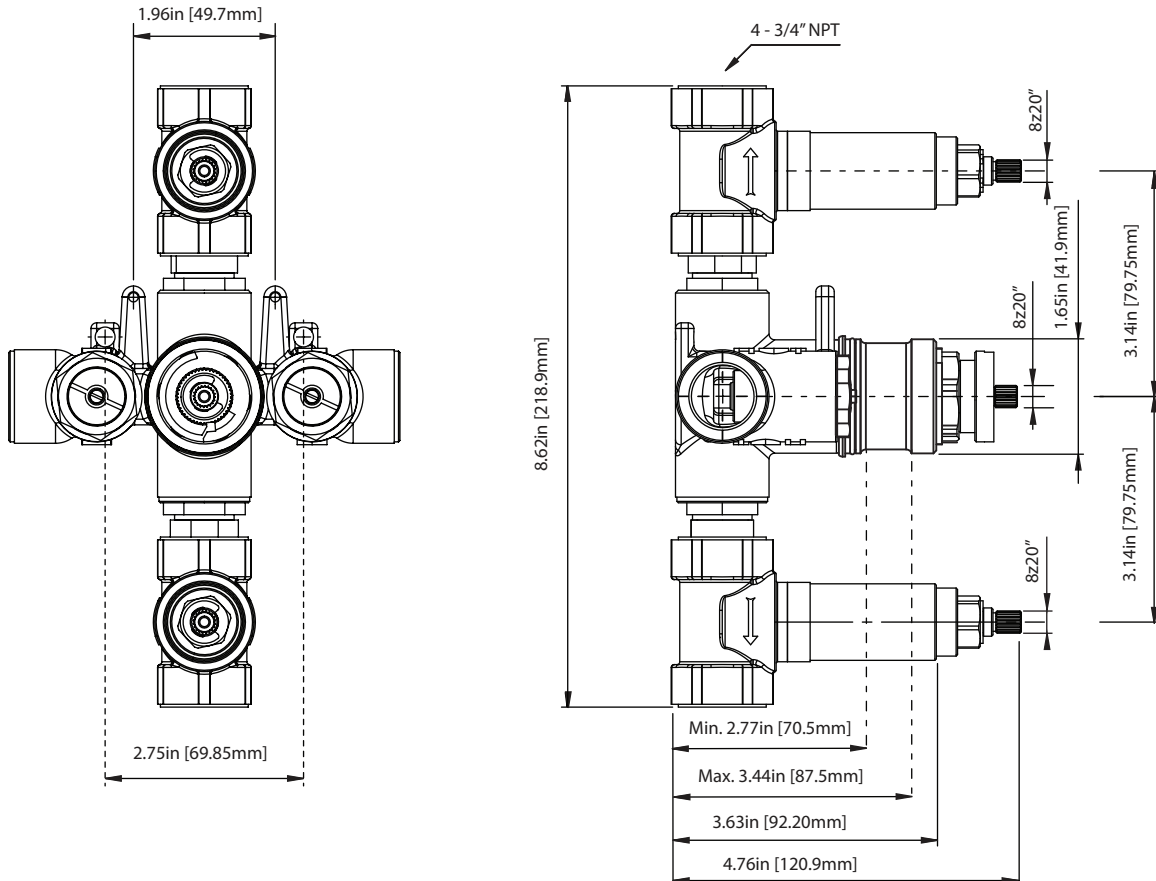
- Turn middle knob to control temperature.
- Turn top knob to control water flow from top output.
- Turn bottom knob to control water flow from bottom output.
- Thermostatic Valve Flow Rate - 13.0 GPM @ 60 PSI
- Extension Available - TVH.4401E**

STANDARDS:

- ASME A112.18.1 / CSA B125.1



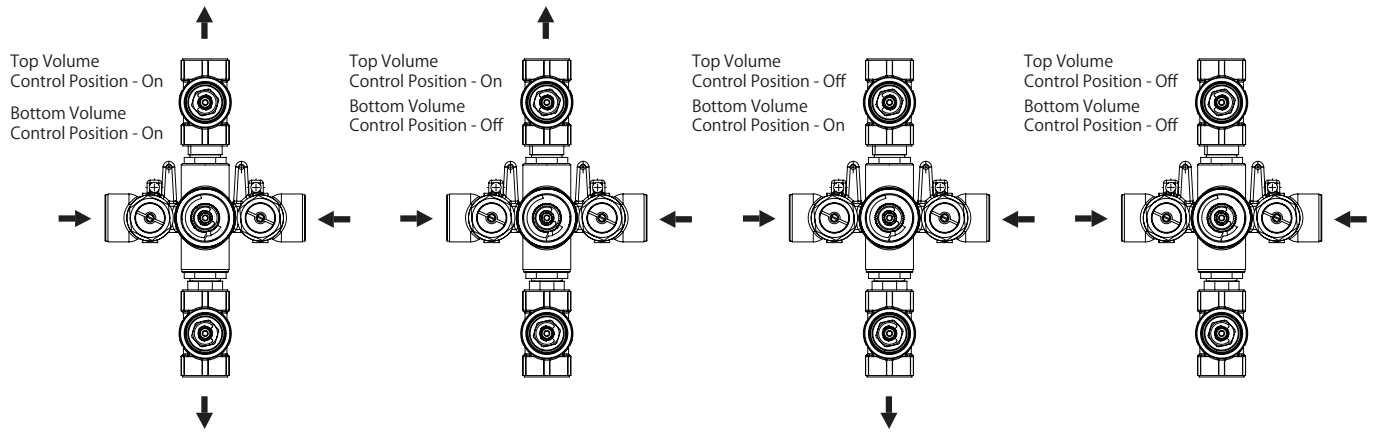
Technical Diagram



TVH.4401 | 3/4" Thermostatic Valve With 2 Independent Volume Controls Page 2 of 2



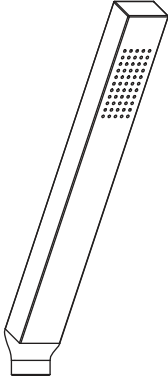
Water Flow Diagram



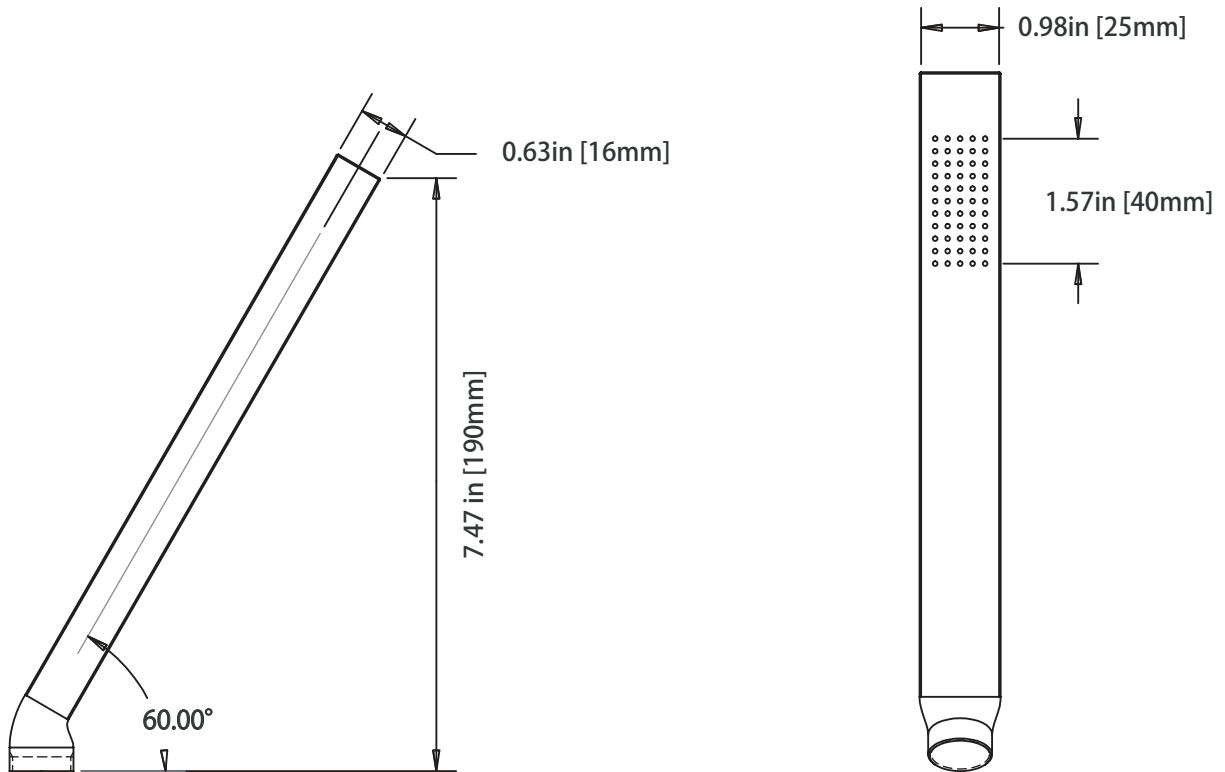
HS1006H | Solid Brass Hand Shower

SPECIFICATIONS:

- Solid Brass Construction
- 1.8 GPM Flow Rate
- With back flow prevention check valve



Technical Diagram

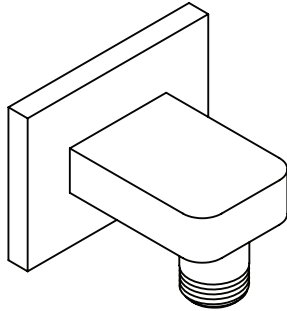


196.5505 | Wall Elbow

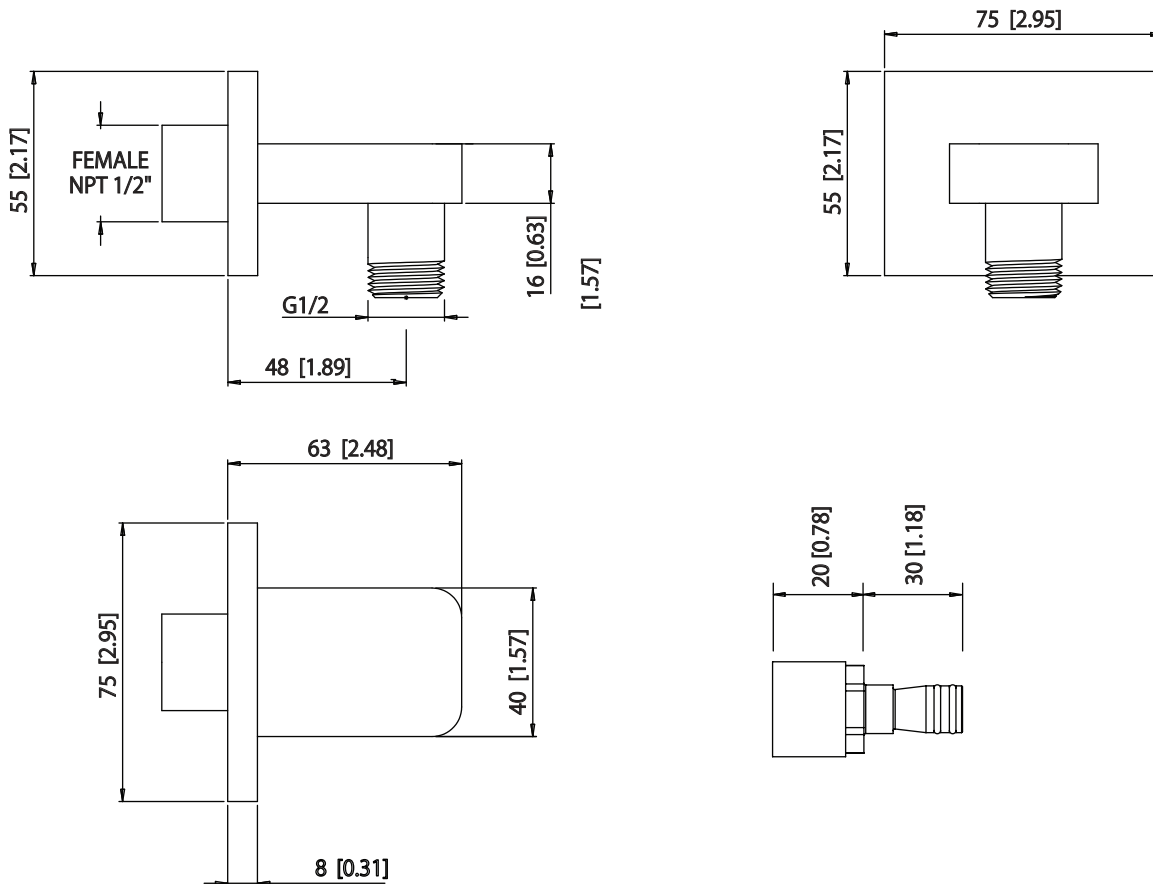


SPECIFICATIONS:

- Solid Brass construction
- 1/2" female connection with adjustable slide on installation
- Includes check valve with back-flow prevention



Technical Diagram



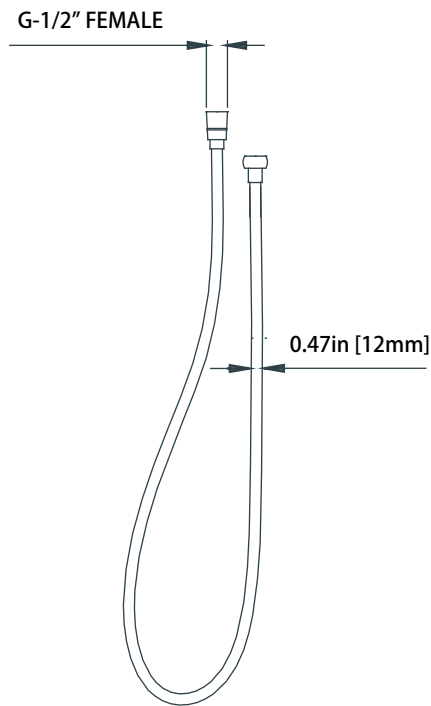
SP.150EM | Easy Maneuver Hose



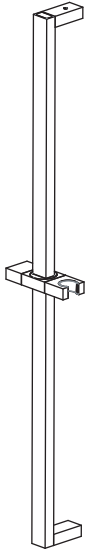
SPECIFICATIONS:

- Stainless steel construction
- G-1/2" connection
- 1.5m length

Technical Diagram



160.601003A | Slide Bar



SPECIFICATIONS:

- Solid Brass Construction
- Easy front of wall installation

Technical Diagram

