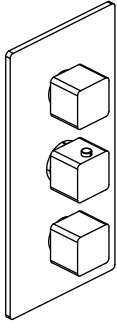


RHE.4401 | Thermostatic Bath / Shower Mixer with 2 Output Valve - 3/4"

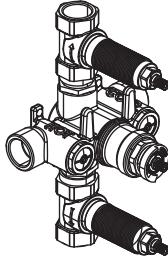
SPECIFICATIONS:

- Turn middle knob to control temperature.
- Turn top knob to control water flow from top output.
- Turn bottom to control water flow from bottom output.
- Thermostatic Valve Flow Rate - 36 LPM @ 3 BAR
- Both outputs can be activated at once.
- Extension Available - JVH.4401E**



Trim
[RHE.4500T**]

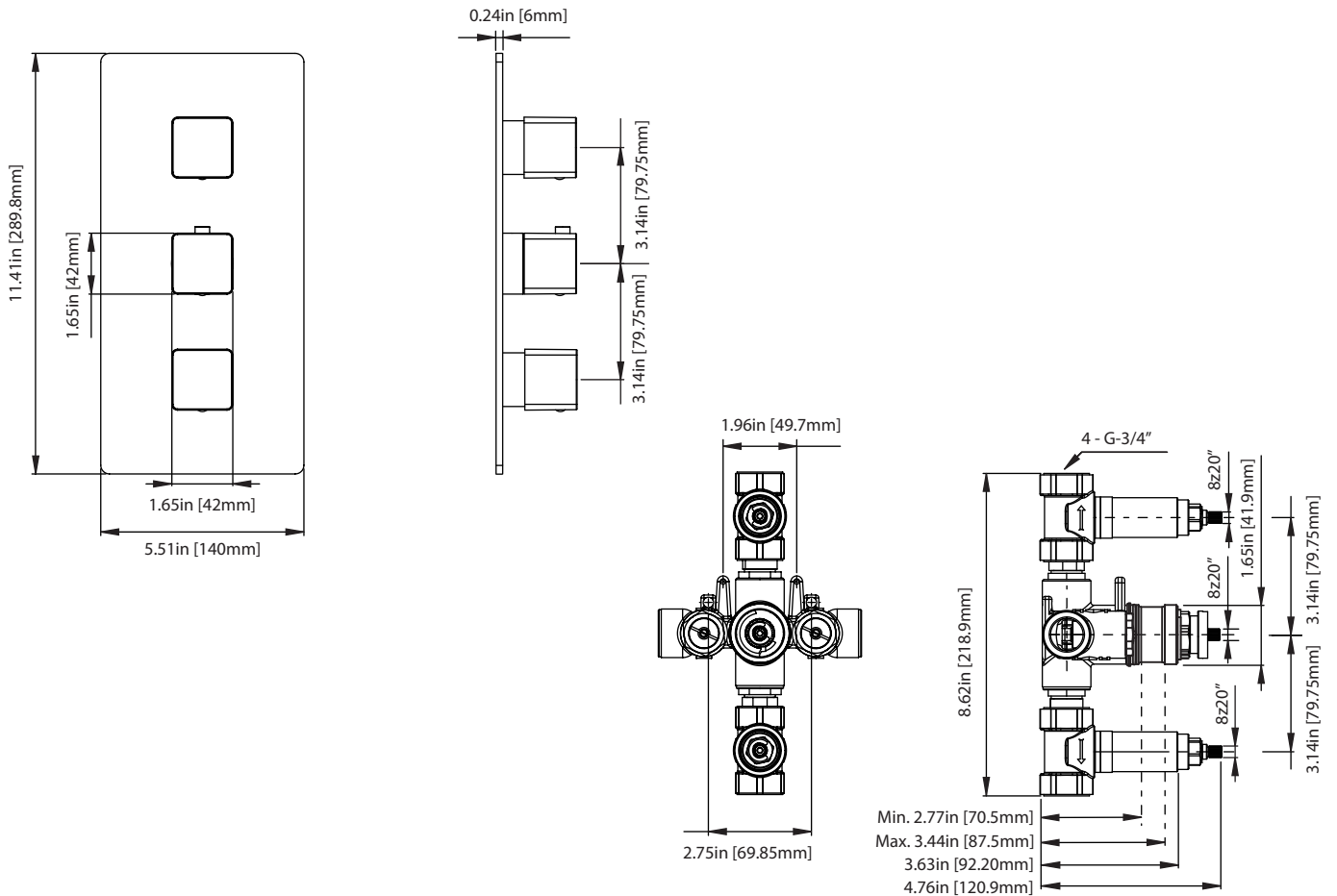
+



Valve
[JVH.4401]

See Spec Sheet For
JVH.4401 For Detailed
Information On Valve.

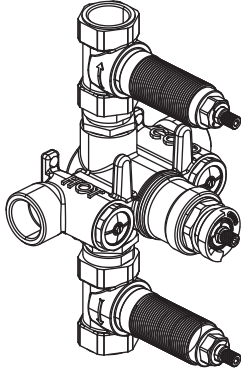
Technical Diagram



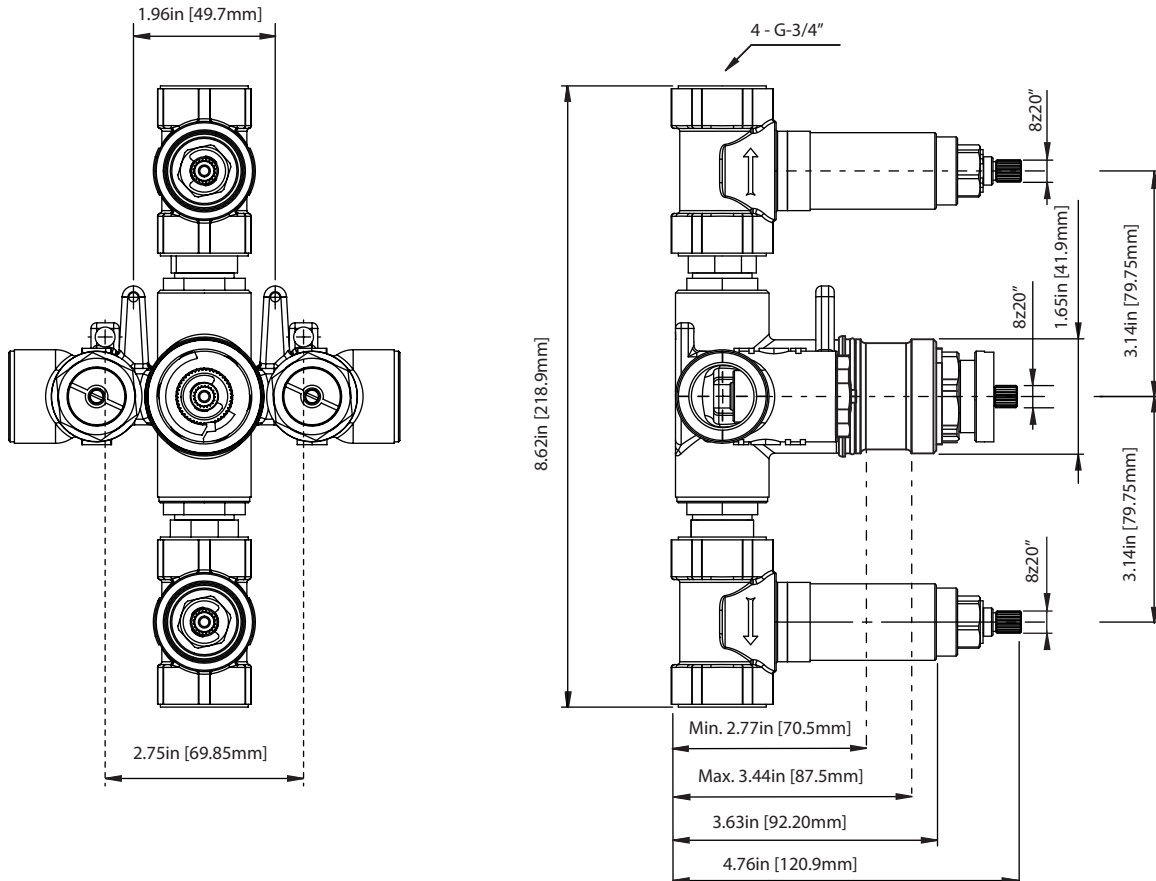
TVH.4401 | 3/4" Thermostatic Mixer Valve - 2 Output Page 1 of 2

SPECIFICATIONS:

- Turn middle knob to control temperature.
- Turn top knob to control water flow from top output.
- Turn bottom to control water flow from bottom output.
- Thermostatic Valve Flow Rate - 36 LPM @ 3 BAR
- Extension Available - JVH.4401E**



Technical Diagram



TVH.4401 | 3/4" Thermostatic Mixer Valve - 2 Output Page 2 of 2

Water Flow Diagram

