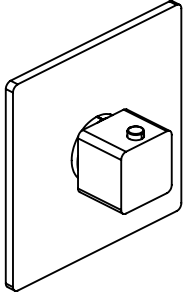


RHE.4201 | Thermostatic Mixer Valve with Trim - 3/4"

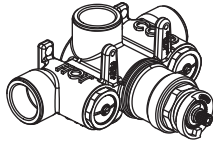
SPECIFICATIONS:

- Turn Handle to control temperature.
- Includes Thermostatic valve (JVH.4201) w/ service stops
- Thermostatic Valve Flow Rate - 36 LPM @ 3 BAR
- Extension Available - JVH.E185E**



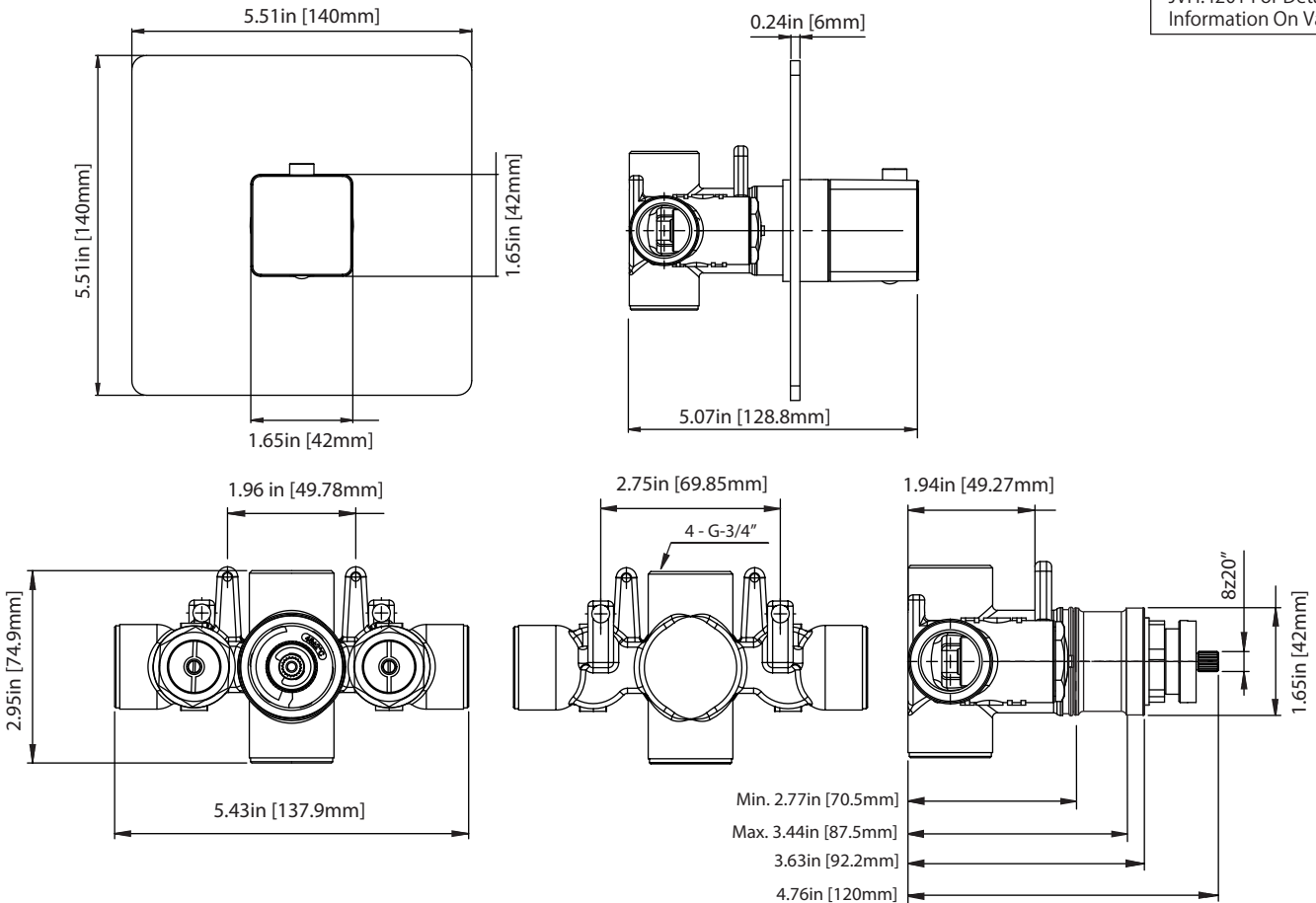
Trim
[RHE.4201T**]

+



Valve
[JVH.4201]

Technical Diagram

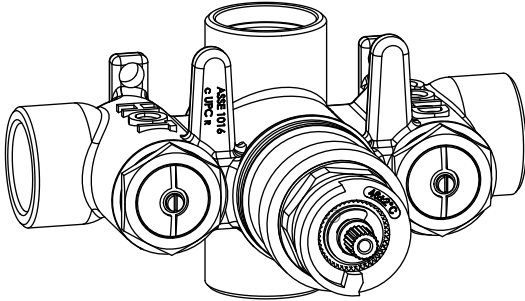


See Spec Sheet For
JVH.4201 For Detailed
Information On Valve.

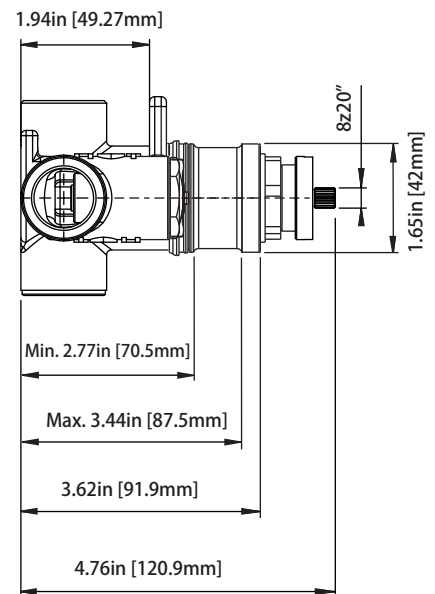
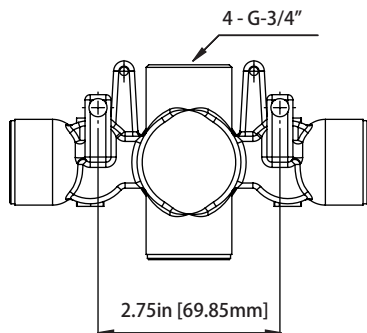
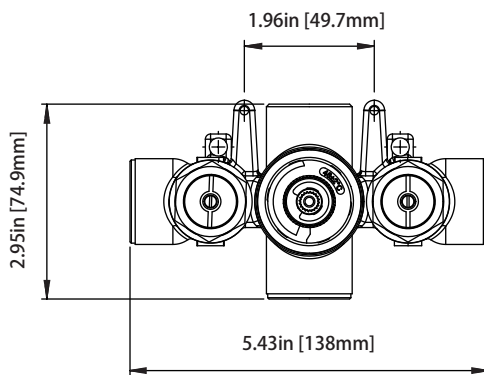
JVH.4201 | 3/4" Thermostatic Mixer Valve Page 1 of 2

SPECIFICATIONS:

- Turn knob to control temperature.
- Thermostatic Valve Flow Rate - 36 LPM @ 3 BAR



Technical Diagram



JVH.4201 | 3/4" Thermostatic Mixer Valve Page 1 of 2

Water Flow Diagram

