

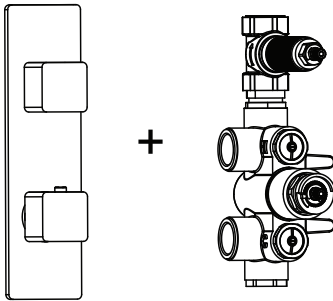
**196.2720 | 3/4" Horizontal Thermostatic Valve & Trim With Integrated Volume Control - For Tub or Shower Applications**

**SPECIFICATIONS:**

- Solid Brass construction
- Single output
- Bottom knob controls temperature
- Top knob controls volume
- Use in tub filler or shower applications
- Thermostatic Valve Flow Rate - 8.0 GPM @ 60 PSI
- Extension Available - TVH.4101E\*\*

**STANDARDS:**

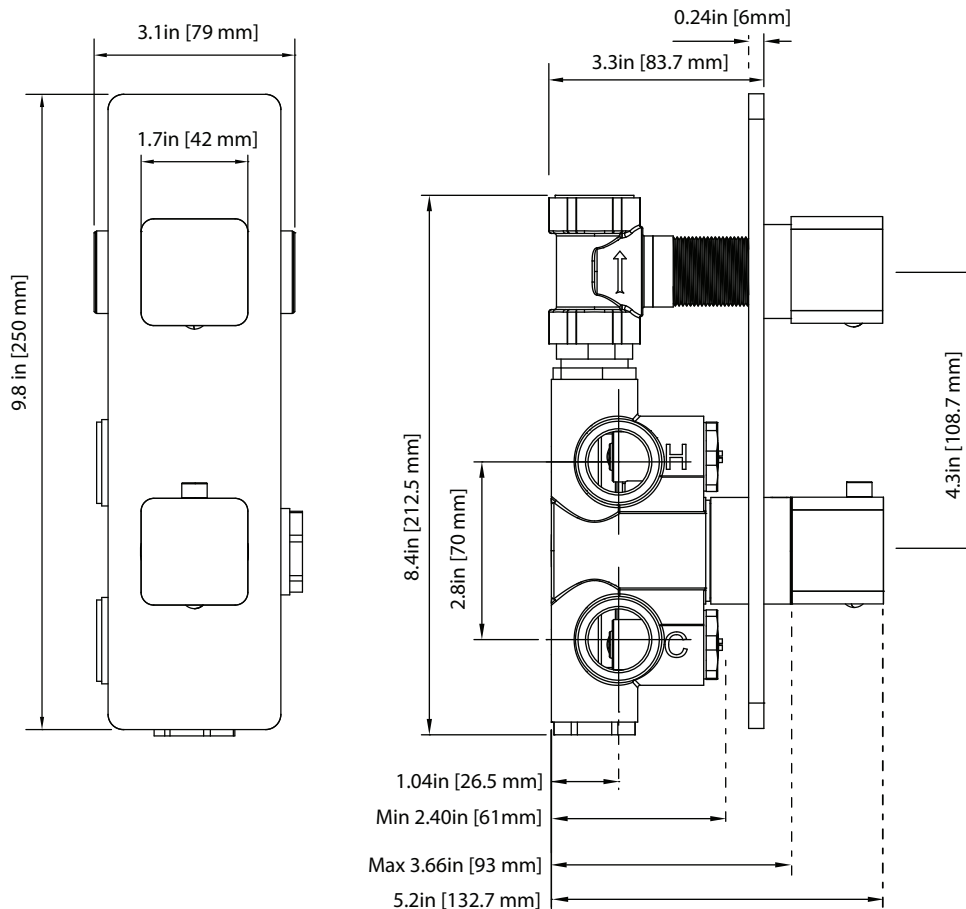
- ASME A112.18.1 / CSA B125.1



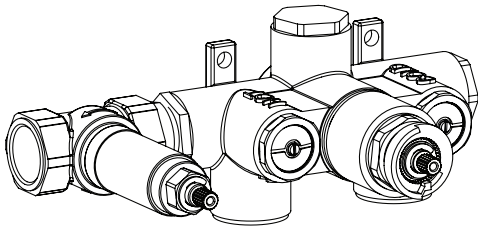
Valve [TVH.2693] + Trim [196.4000VT\*\*]

**!** See Spec Sheet For TVH.2693 For Detailed Information On Valve.

**Technical Diagram**



**TVH.2693 | 3/4" Horizontal Thermostatic Valve With Volume Control - For Tub or Shower Applications**



**SPECIFICATIONS:**

- Solid Brass construction
- Single output
- Left handle controls temperature
- Right handle controls volume
- Use in tub filler or shower applications
- Thermostatic Valve Flow Rate - 8.0 GPM @ 60 PSI
- Extension Available - TVH.4101E\*\*

**STANDARDS:**

- ASME A112.18.1 / CSA B125.1

**Technical Diagram**

