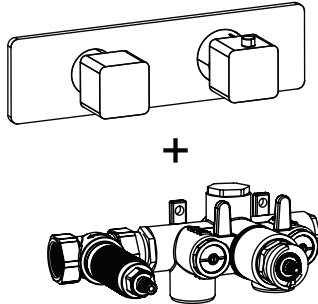


196.2693 | 3/4" Horizontal Thermostatic Valve & Trim With Integrated Volume Control - For Tub or Shower Applications



SPECIFICATIONS:

- Solid Brass construction
- Single output
- Right knob controls temperature
- Left knob controls volume
- Use in tub filler or shower applications
- Thermostatic Valve Flow Rate - 8.0 GPM @ 60 PSI
- Extension Available - TVH.4101E**

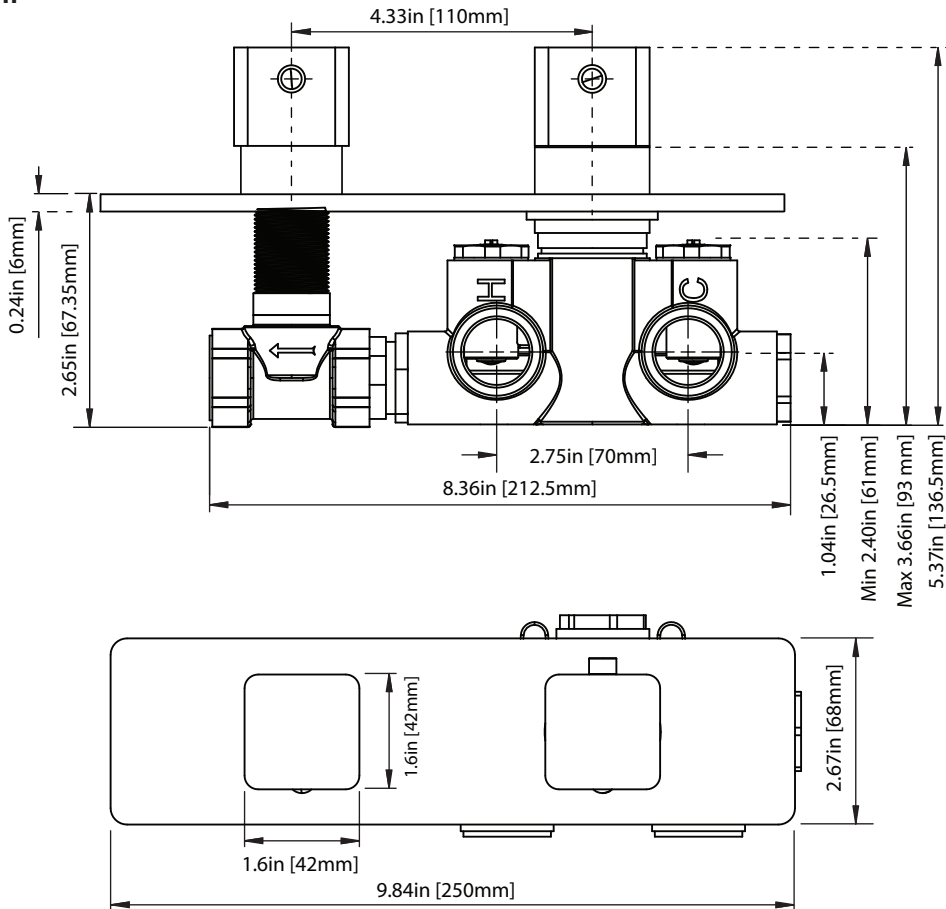
STANDARDS:

- ASME A112.18.1 / CSA B125.1

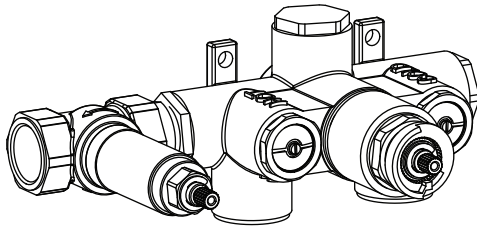
Valve [TVH.2693] + Trim [196.2693T**]

! See Spec Sheet For TVH.2693 For Detailed Information On Valve.

Technical Diagram



TVH.2693 | 3/4" Horizontal Thermostatic Valve With Volume Control - For Tub or Shower Applications



SPECIFICATIONS:

- Solid Brass construction
- Single output
- Left handle controls volume
- Right handle controls temperature
- Use in tub filler or shower applications
- Thermostatic Valve Flow Rate - 8.0 GPM @ 60 PSI
- Extension Available - TVH.4101E**

STANDARDS:

- ASME A112.18.1 / CSA B125.1

Technical Diagram

