

196.2300 | Tub Spout / Filler

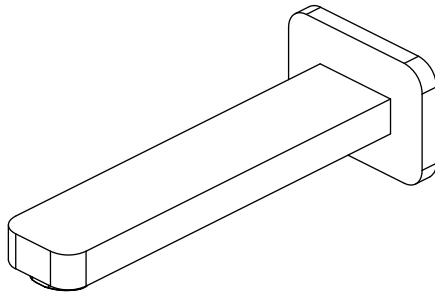


**SPECIFICATIONS:**

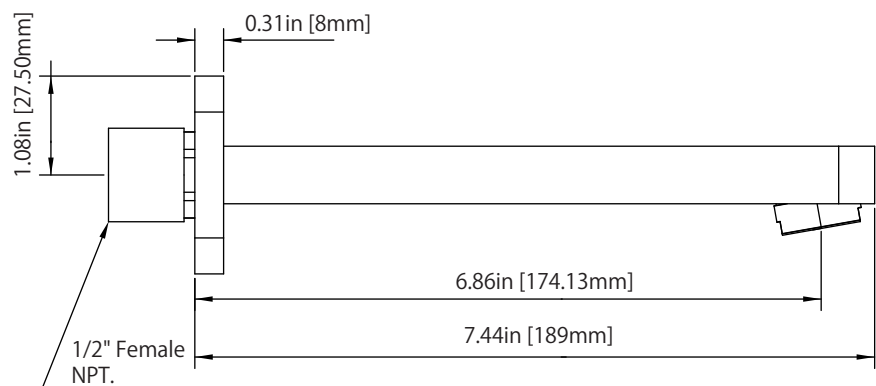
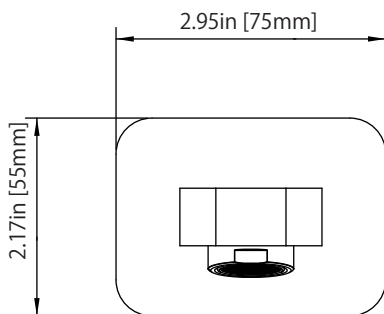
- Solid Brass Construction
- 1/2" Female NPT Connection

**STANDARDS:**

- ASME A112.18.1 / CSA B125.1



**Technical Diagram**



Male / Female extension available in 1" increments.

