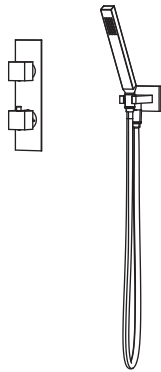


160.7250 | Two Output Shower W/ Rain Head & Hand Held



COMPONENTS

- HS1011SA - 16" Shower Arm
- HSB.10S - 10" Shower Head
- 160.4000VT - Shower Trim
- TVH.2717F - Shower Valve
- HS1006H - Hand Held
- HS8006 - Wall Elbow w/ Holder
- SP.150EM - 1.5m Hose

SHOWER VALVE:

- Thermostatic shower valve
- Valve includes service stops
- Turn bottom handle to set temp.
- Top handle controls water diversion
- Includes 15109 non-shared cartridge

SHOWER HEAD:

- Solid brass construction
- 1.8 GPM flow rate

STANDARDS:

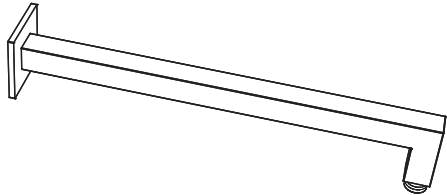
- ASME A112.18.1 / CSA B125.1

See individual component specification sheets on following pages for further details.

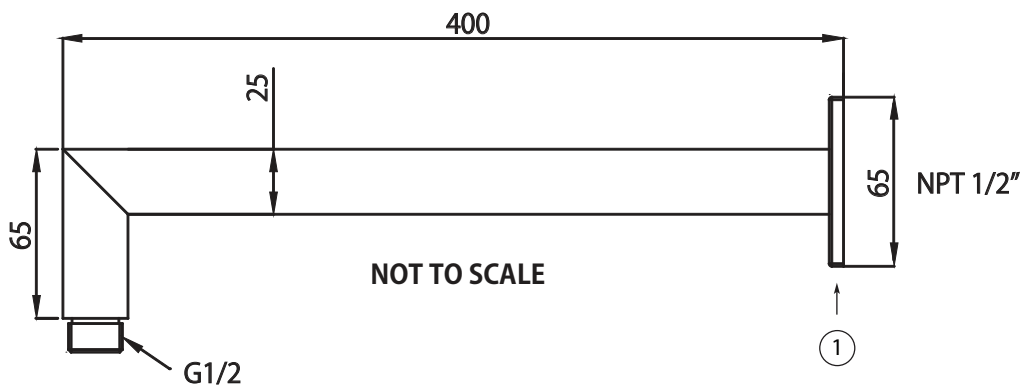
HS1011SA | Square Shower Arm - 400mm - 16"

SPECIFICATIONS:

- Solid Brass Shower Arm
- With Sliding Flange



Technical Diagram

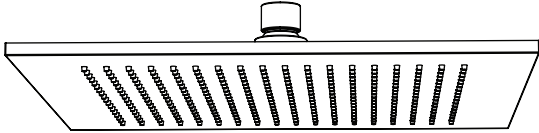


HSB.10S | 10" Brass Shower Head

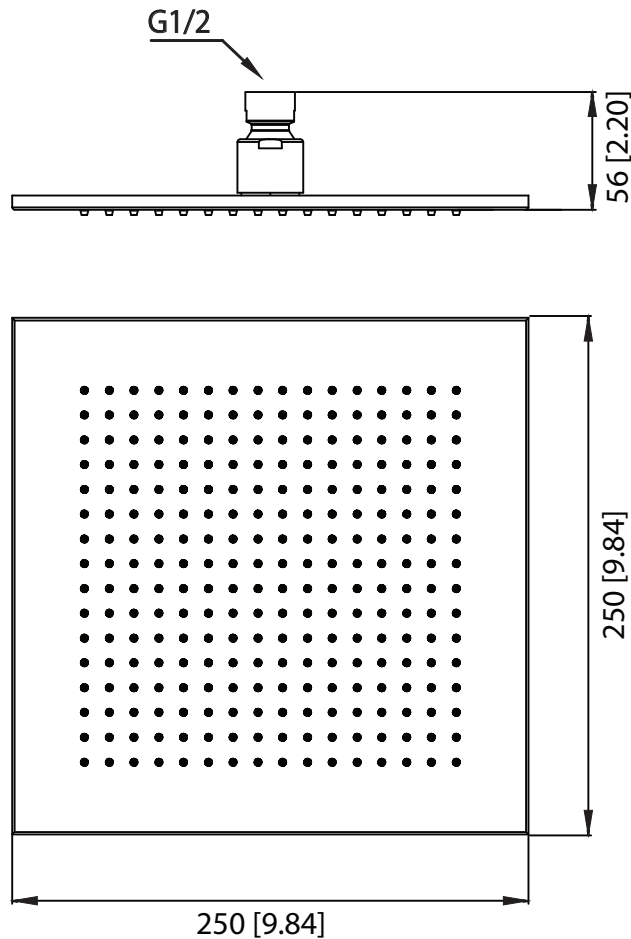


SPECIFICATIONS:

- Solid Brass Shower Head
- Scrub rubber nozzles to easily clean water sediment
- 1.8 GPM Flow Rate
- 256 Nozzles - [16 x 16]



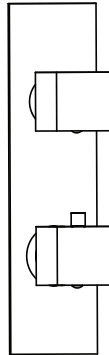
Technical Diagram



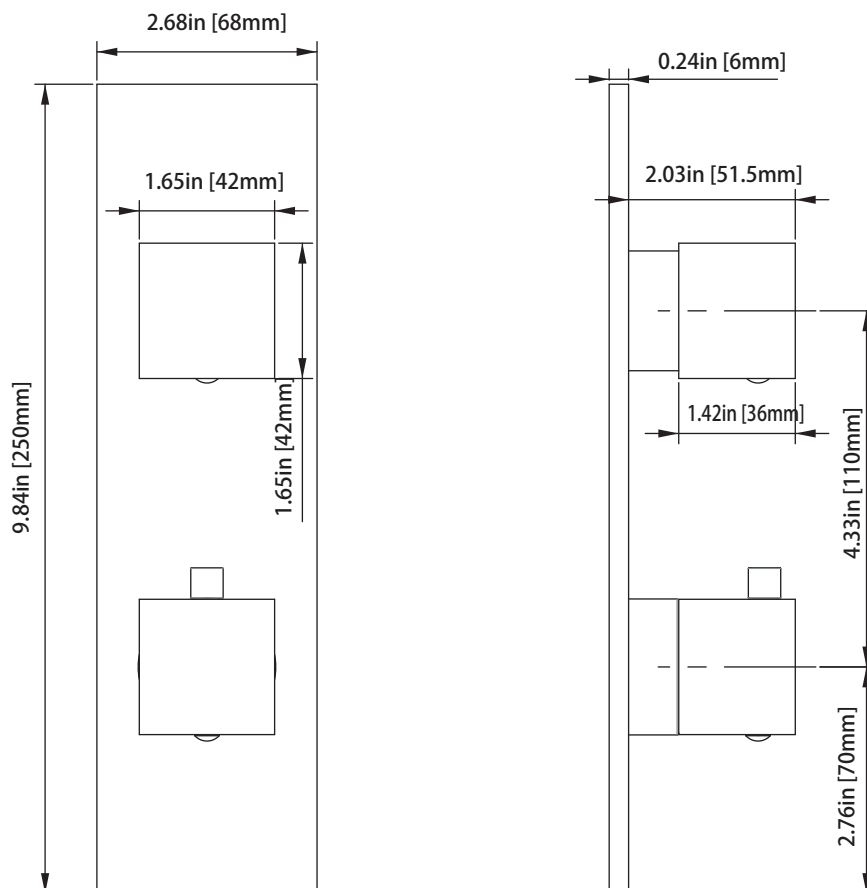
160.4000VT | Thermostatic Shower Trim

SPECIFICATIONS:

- Solid Brass construction
- Valve not included - Trim only
- Turn bottom handle to control temperature.
- Turn top handle to control volume.

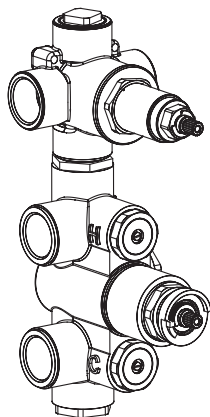


Technical Diagram





TVH.2717F | 3/4" Thermostatic Valve With 2-Way Diverter & Integrated Volume Control Page 1 of 2



SPECIFICATIONS:

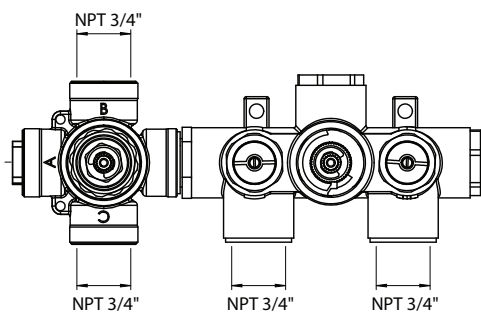
- Turn bottom knob to control temperature.
- Turn top knob to control water flow.
- Thermostatic Valve Flow Rate - 8.0 GPM @ 60 PSI
- Extension Available - TVH.4101E**

STANDARDS:

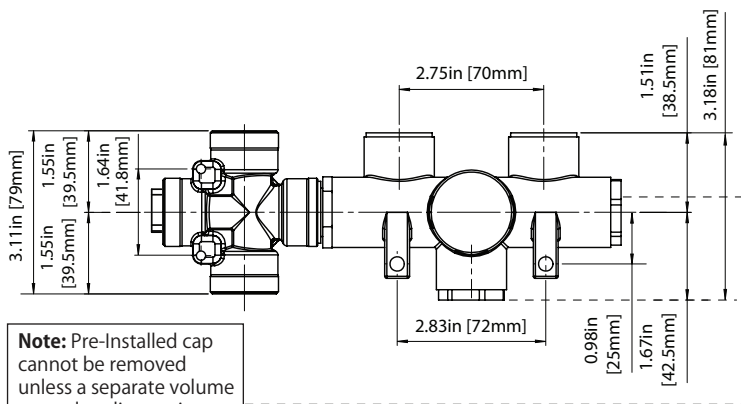
- ASME A112.18.1 / CSA B125.1

! A separate volume control is **not** needed to turn water supply off. Volume control functionality is integrated within this valve.

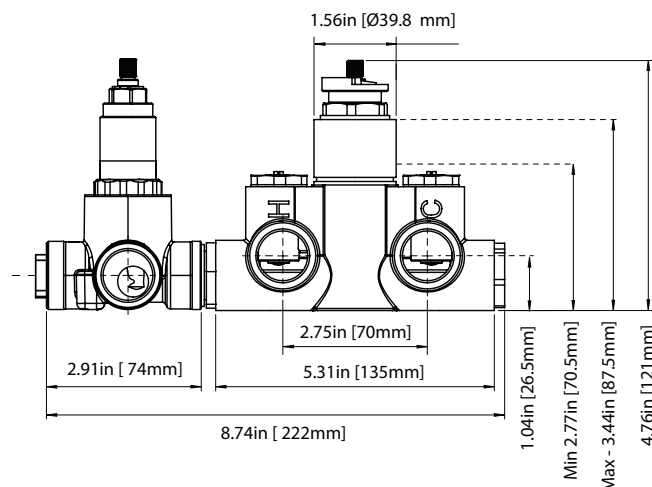
Technical Diagram



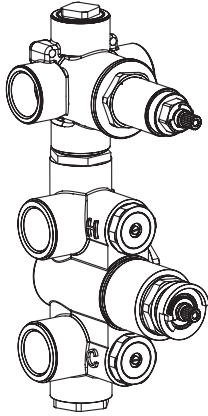
Note: Pre-Installed cap cannot be removed



Note: Pre-Installed cap cannot be removed unless a separate volume control or diverter is used



TVH.2717F | 3/4" Thermostatic Valve With 2-Way Diverter & Integrated Volume Control Page 1 of 2



SPECIFICATIONS:

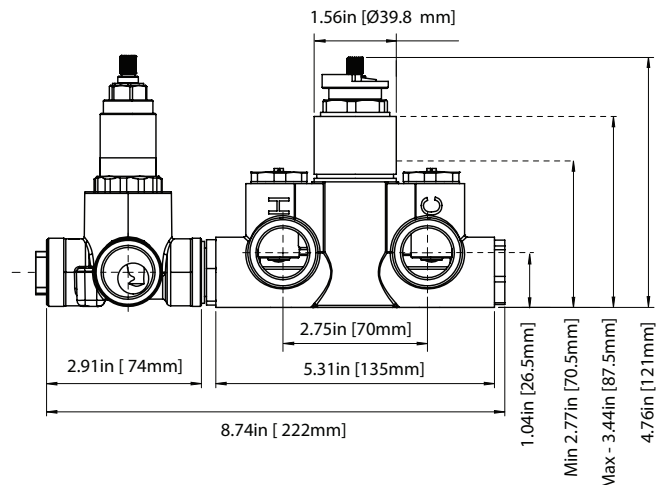
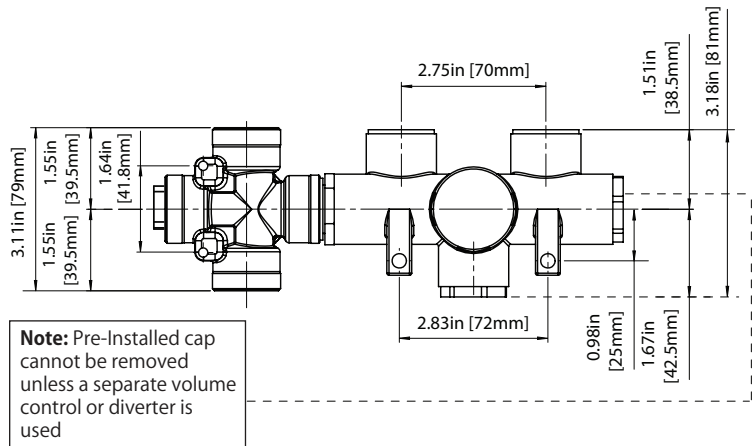
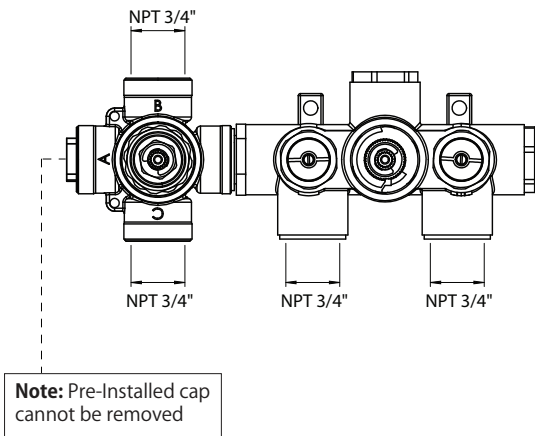
- Turn bottom knob to control temperature.
- Turn top knob to control water flow.
- Thermostatic Valve Flow Rate - 8.0 GPM @ 60 PSI
- Extension Available - TVH.4101E**

STANDARDS:

- ASME A112.18.1 / CSA B125.1

! A separate volume control is **not** needed to turn water supply off. Volume control functionality is integrated within this valve.

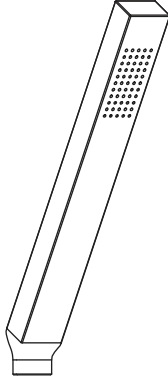
Technical Diagram



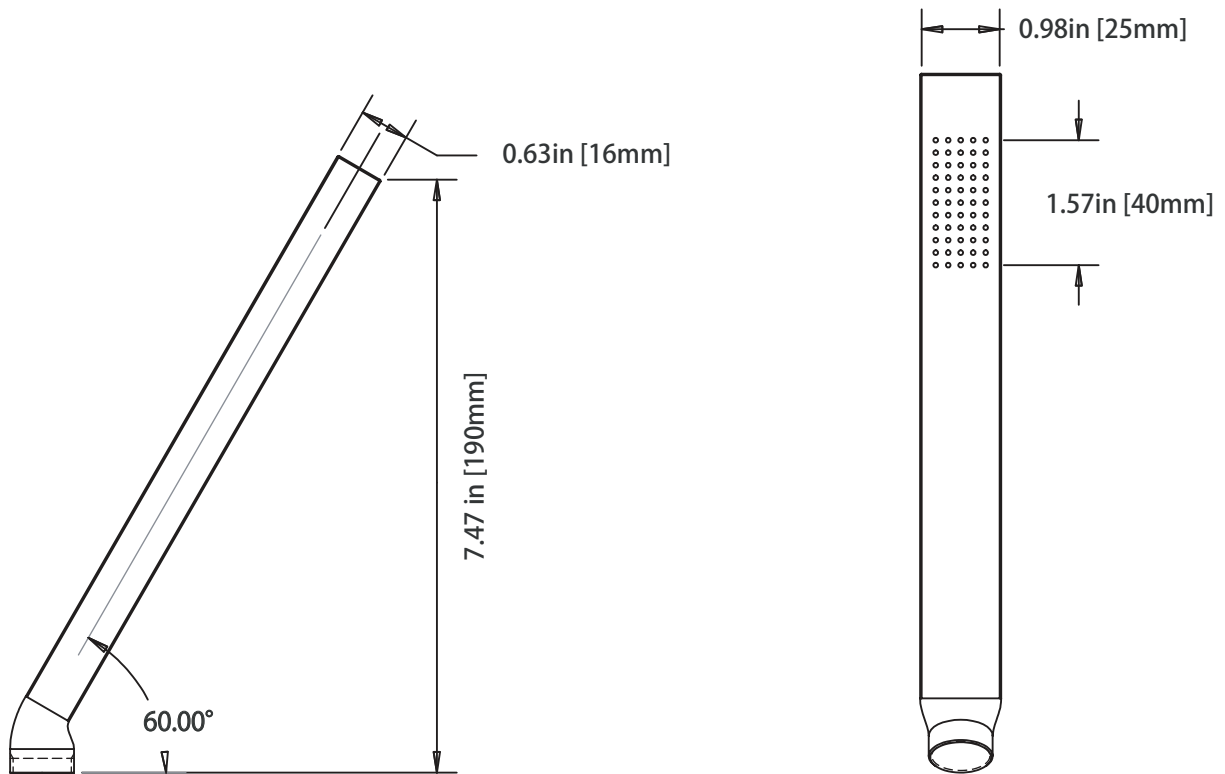
HS1006H | Solid Brass Hand Shower

SPECIFICATIONS:

- Solid Brass Construction
- 1.8 GPM Flow Rate
- With back flow prevention check valve



Technical Diagram

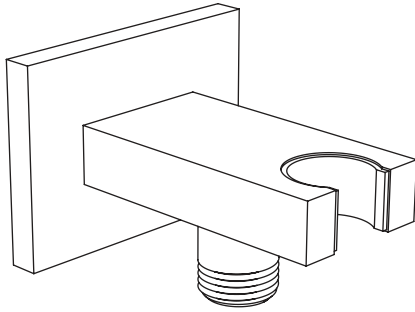


HS8006 | Wall Elbow With Holder Combo

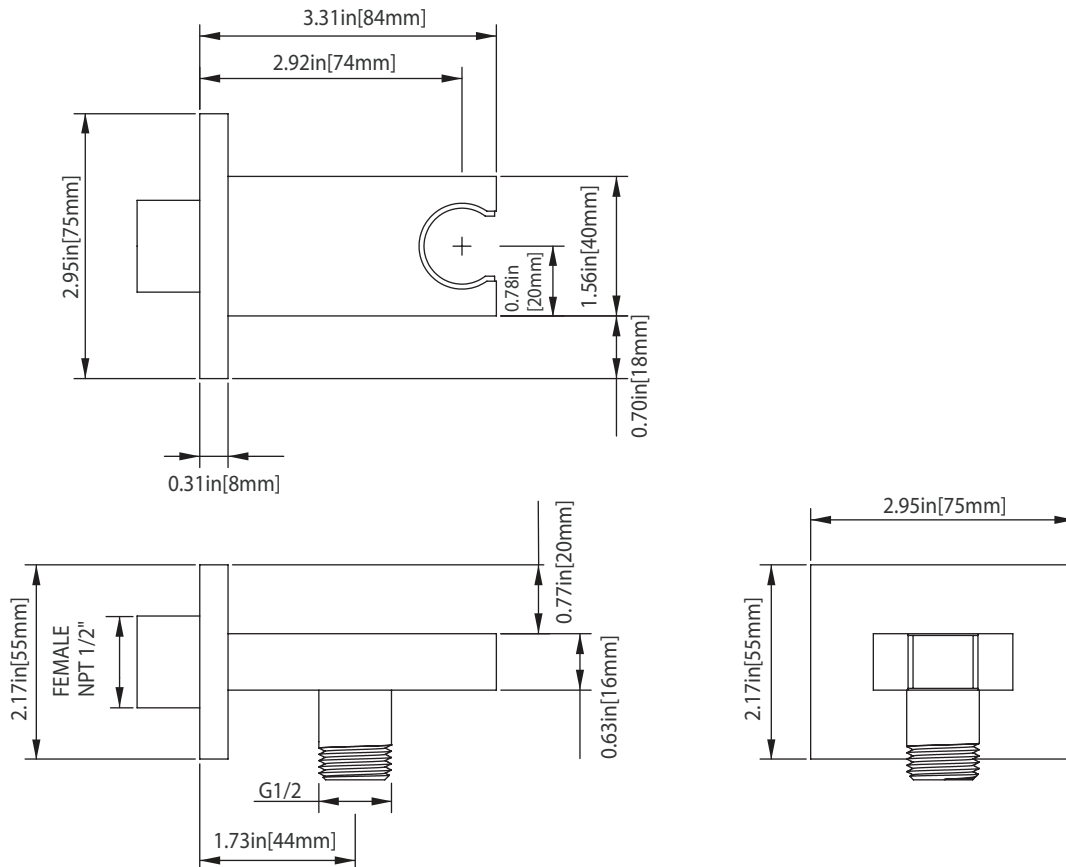


SPECIFICATIONS:

- Solid Brass Construction
- Includes Check Valve with back flow prevention.



Technical Diagram



SP.150EM | Easy Maneuver Hose



SPECIFICATIONS:

- Stainless steel construction
- G-1/2" connection
- 1.5m length

Technical Diagram

