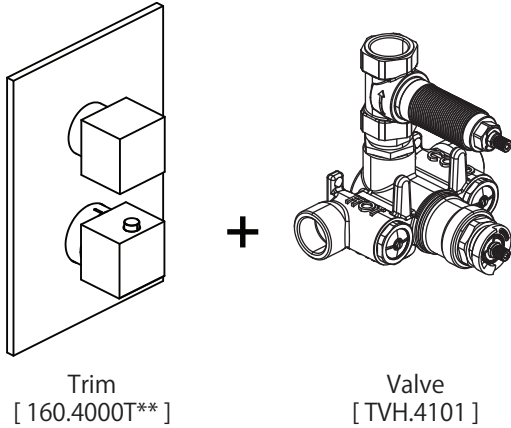


**160.4101 | 3/4" Thermostatic Valve With Volume Control & Trim**

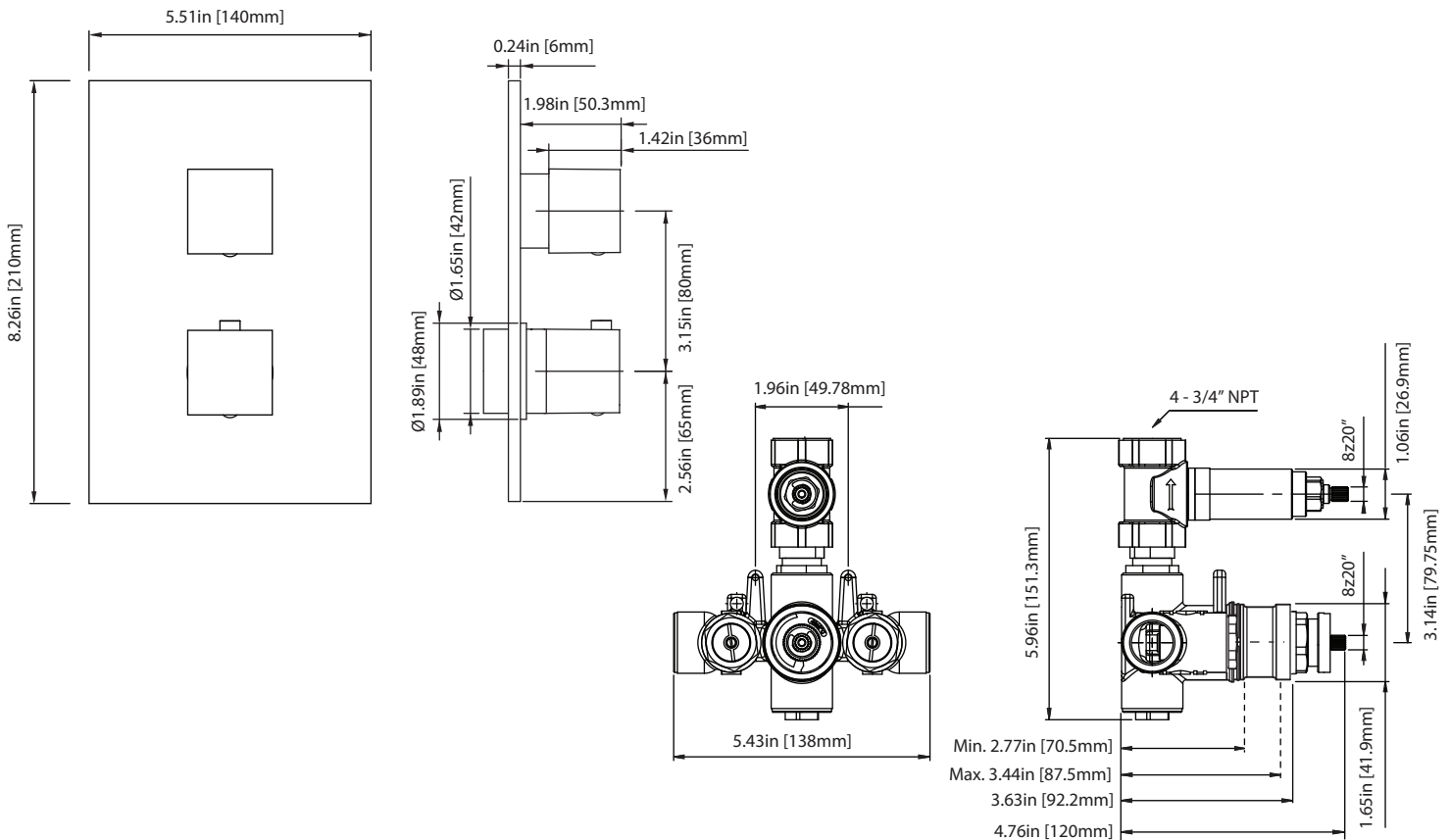
**SPECIFICATIONS:**



- Turn bottom handle to control temperature.
- Turn top handle to control volume.
- Includes Thermostatic valve (TVH.4101) w/ service stops
- Thermostatic Valve Flow Rate - 13.0 GPM @ 60 PSI
- Extension Available - TVH.4101E\*\*

See Spec Sheet For  
TVH.4101 For Detailed  
Information On Valve.

**Technical Diagram**



**TVH.4101 | 3/4" Thermostatic Valve With Volume Control** Page 1 of 2

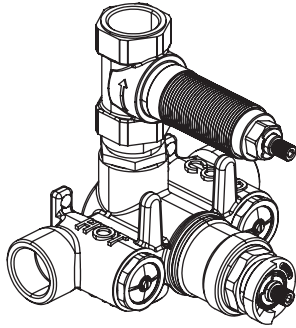


**SPECIFICATIONS:**

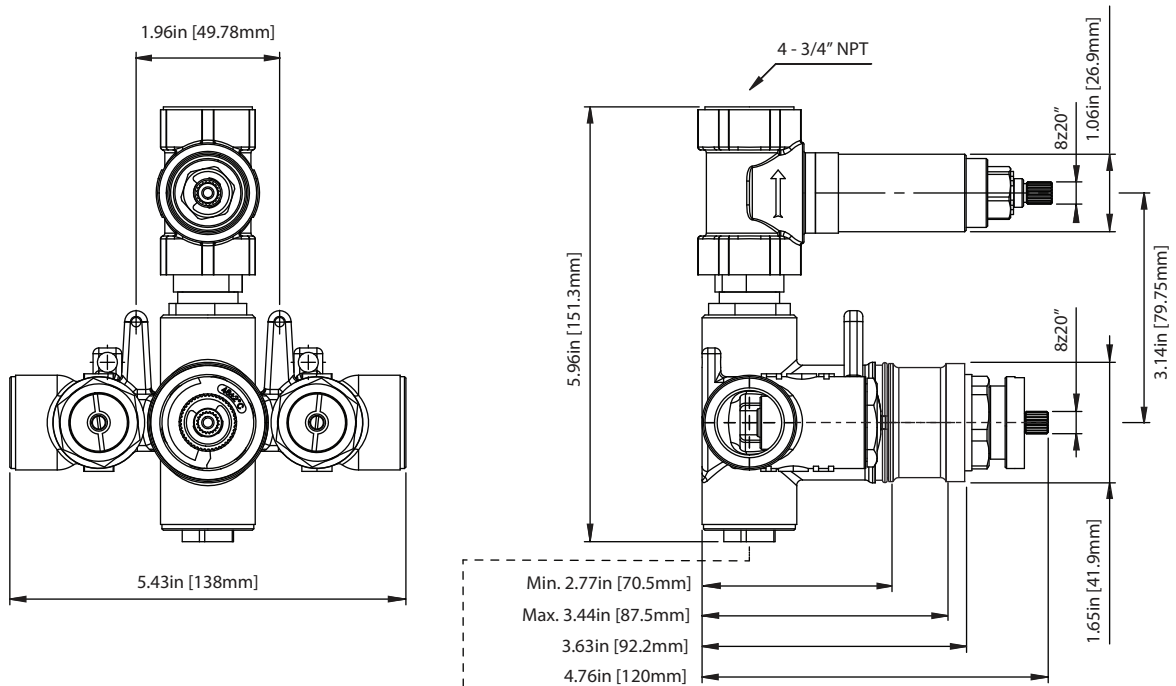
- Turn bottom knob to control temperature.
- Turn top knob to control water flow.
- Thermostatic Valve Flow Rate - 13.0 GPM @ 60 PSI
- Extension Available - TVH.4101E\*\*

**STANDARDS:**

- ASME A112.18.1 / CSA B125.1



**Technical Diagram**



**Note:** Pre-Installed cap cannot be removed unless a separate volume control or diverter is purchased

TVH.4101 | 3/4" Thermostatic Valve With Volume Control Page 2 of 2



Water Flow Diagram

