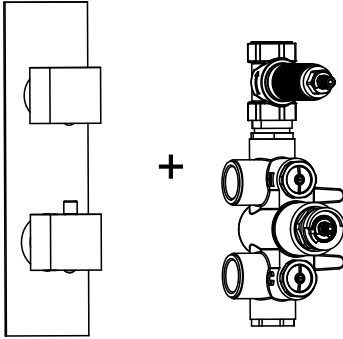


**RAR.2720 | Thermostatic Mixer with 1 Output Valve - 3/4"**

**SPECIFICATIONS:**

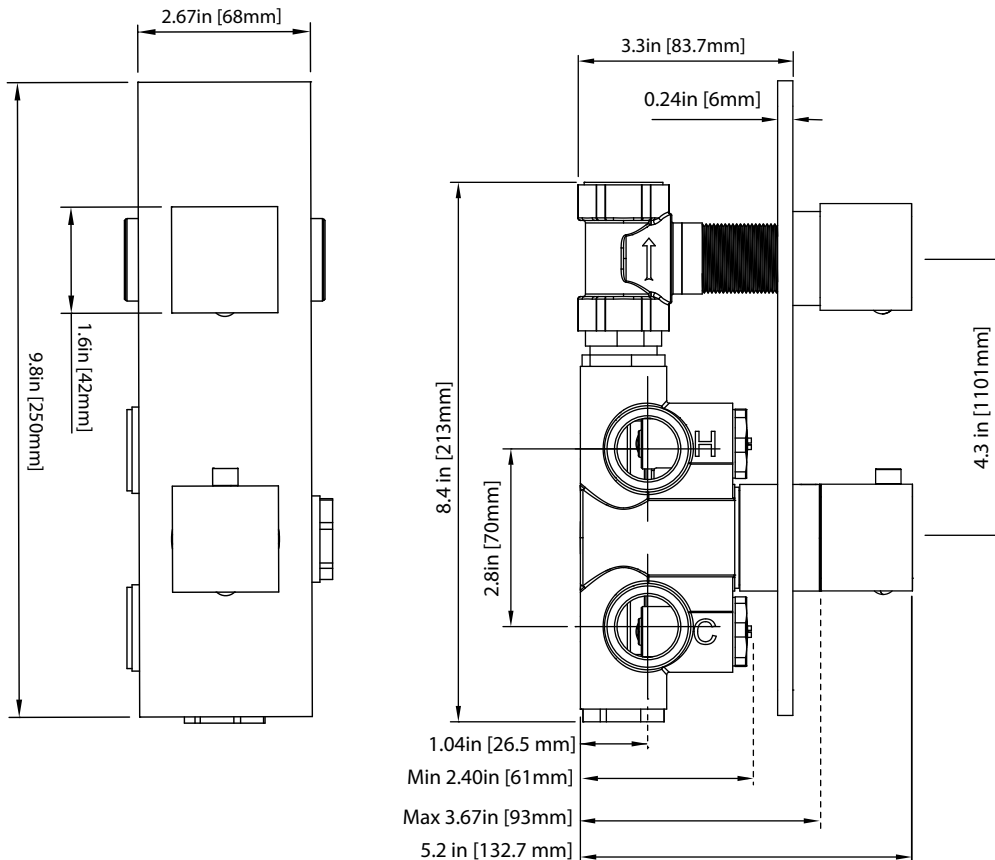
- Solid Brass construction
- Single output
- Bottom knob controls temperature
- Top knob controls volume
- Use in tub filler or shower applications
- Thermostatic Valve Flow Rate - 22 LPM @ 3 BAR



Valve [JVH.2693] + Trim [RAR.4000VT\*\*]

**!** See Spec Sheet For JVH.2693 For Detailed Information On Valve.

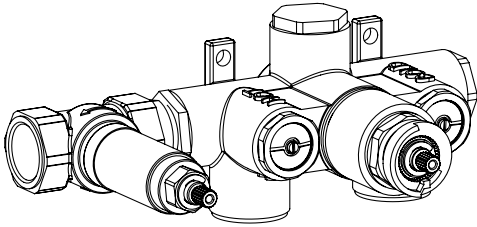
**Technical Diagram**



**JVH.2693 | 3/4" Thermostatic Mixer Valve - 1 Output**

**SPECIFICATIONS:**

- Solid Brass construction
- Single output
- Left handle controls temperature
- Right handle controls volume
- Use in tub filler or shower applications
- Thermostatic Valve Flow Rate - 22 LPM @ 3 BAR
- Extension Available - JVH.4101E\*\*



**Technical Diagram**

