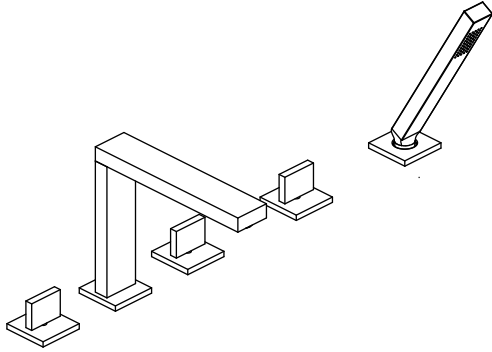


RAR.2420 | 5 - Hole Deck Mounted Bathtub Mixer with Hand Shower

SPECIFICATIONS:

- Solid Brass construction - includes valve RHM.2420
- Five Hole Installation
- Flow Rate = 19 LPM @ 3 BAR
- Hand Shower Flow Rate = 6 LPM @ BAR w/ back flow prevention
- Diverter handle controls water flow between spout and hand held



Technical Diagram

