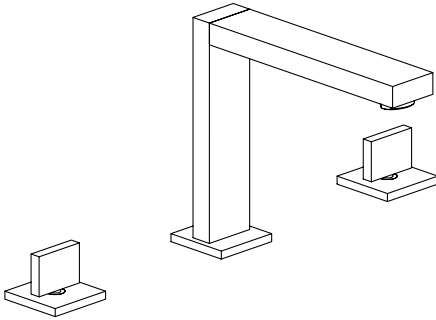


RAR.2410 | 3-Hole Bath Tub Mixer

SPECIFICATIONS:

- Solid Brass construction - includes valve
- Three Hole Installation
- Flow Rate = 19 LPM @ 3 BAR
- 6.89" Tub Spout Reach



Technical Diagram

