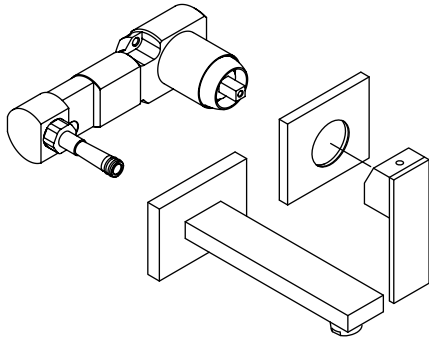


RAR.1800 | Single Lever Wall Mounted Basin Mixer

SPECIFICATIONS:

- Solid Brass construction - includes valve
- Wall Mount Installation
- 6 LPM @ 3 BAR
- Ceramic disc cartridge allows both volume and temperature control
- Extension Available - RAR.1800E**



FLOW
Efficient

Technical Diagram

