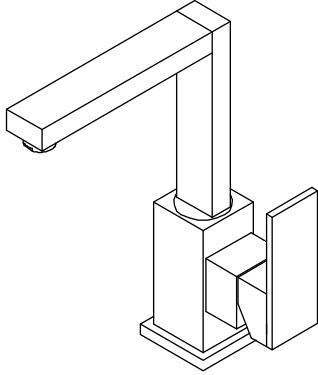


RAR.1500 | Single Lever Basin Mixer with Swivel Spout



SPECIFICATIONS:

- Solid Brass construction
- Single Hole Installation
- 6 LPM @ 3 BAR
- Ceramic disc cartridge allows both volume and temperature control

FLOW
Efficient

Technical Diagram

