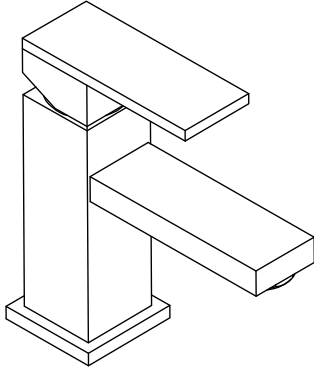


RAR.1050 | Single Lever Basin Mixer



SPECIFICATIONS:

- Solid Brass construction
- Single Hole Installation
- 6 LPM @ 3 BAR
- Ceramic disc cartridge allows both volume and temperature control



Drain Included



Technical Diagram

