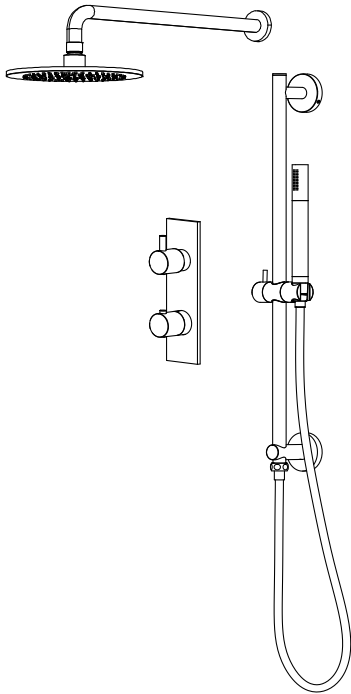


100.7350 | Two Output Shower W/ Rain Head , Hand Held & Slide Bar



COMPONENTS

- HH1012SA - 16" Shower Arm
- HH1002A - 8" Shower Head
- ORO.4000VT - Shower Trim
- JVH.2717F - Shower Valve
- HH1004H - Hand Shower
- HH.150EM - 1.5m Hose
- ORO.601023A - Slide Bar w/ Integrated Elbow

SHOWER VALVE:

- Thermostatic shower valve
- Valve includes service stops
- Turn bottom handle to set temp.
- Top handle controls water diversion
- Includes 15109 non-shared cartridge

SHOWER HEAD:

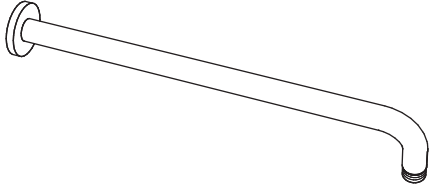
- Solid brass construction
- 11 LPM flow rate

HAND SHOWER:

- Solid Brass construction
- 6 LPM flow rate
- 1/2" male connection
- With back flow prevention check valve

See individual component specification sheets on following pages for further details.

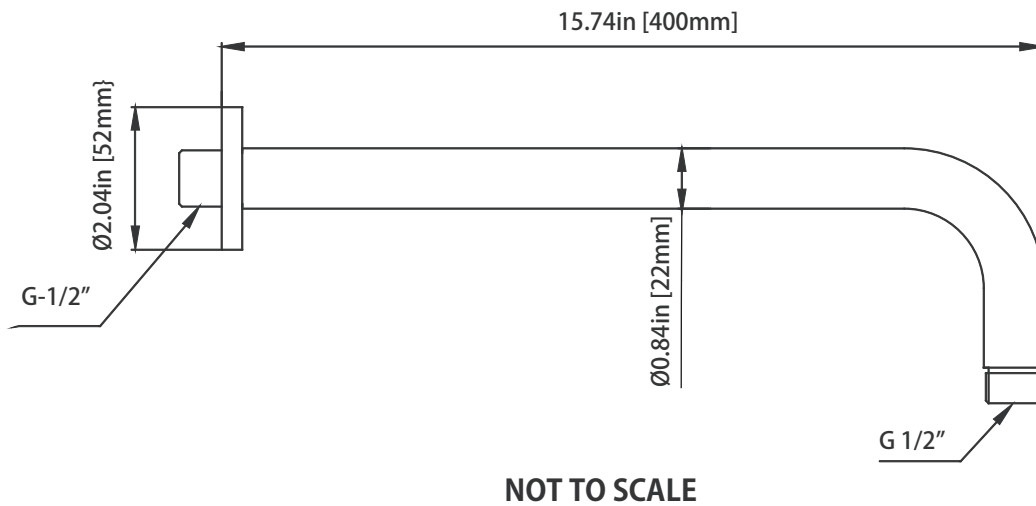
HH1012SA | Round Shower Arm - 400mm - 16"



SPECIFICATIONS:

- Solid Brass Shower Arm
- With Sliding Flange

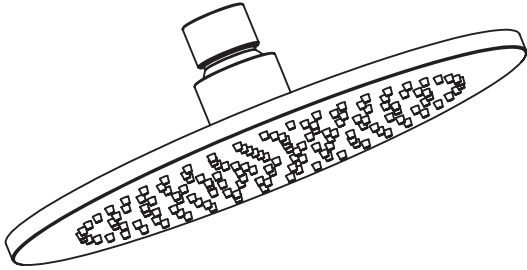
Technical Diagram



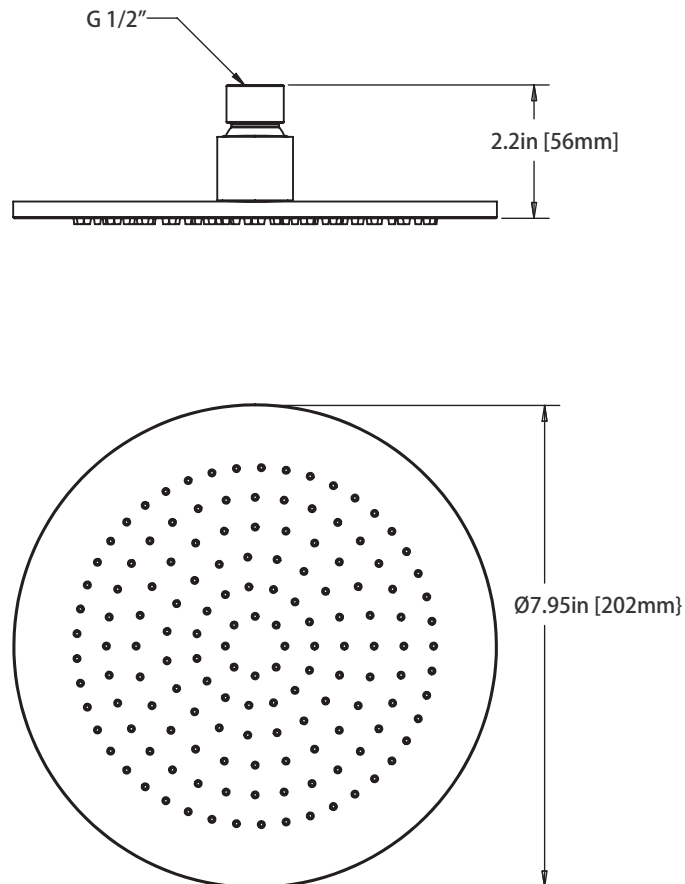
HH1002A | 8" Brass Rain Shower

SPECIFICATIONS:

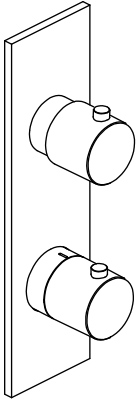
- Solid Brass Shower Head
- Scrub rubber nozzles to easily clean water sediment
- 11 PM Flow Rate



Technical Diagram



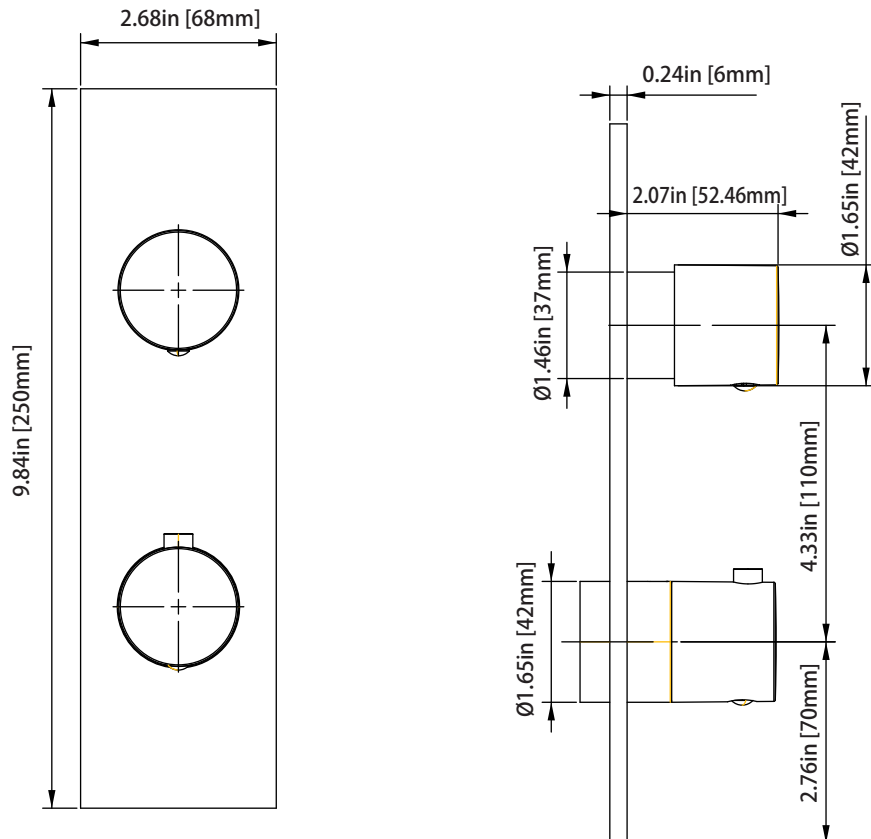
ORO.4000VT | Thermostatic Shower Trim



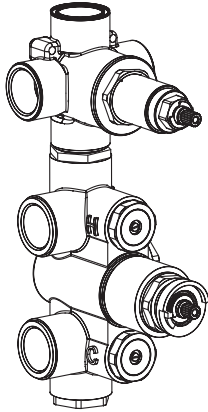
SPECIFICATIONS:

- Solid Brass Construction
- Trim Only - Valve Not Included
- Turn bottom handle to control temperature
- Turn top handle to control volume

Technical Diagram



JVH.2717F | 3/4" Thermostatic Mixer Valve - 2 Output Page 1 of 2

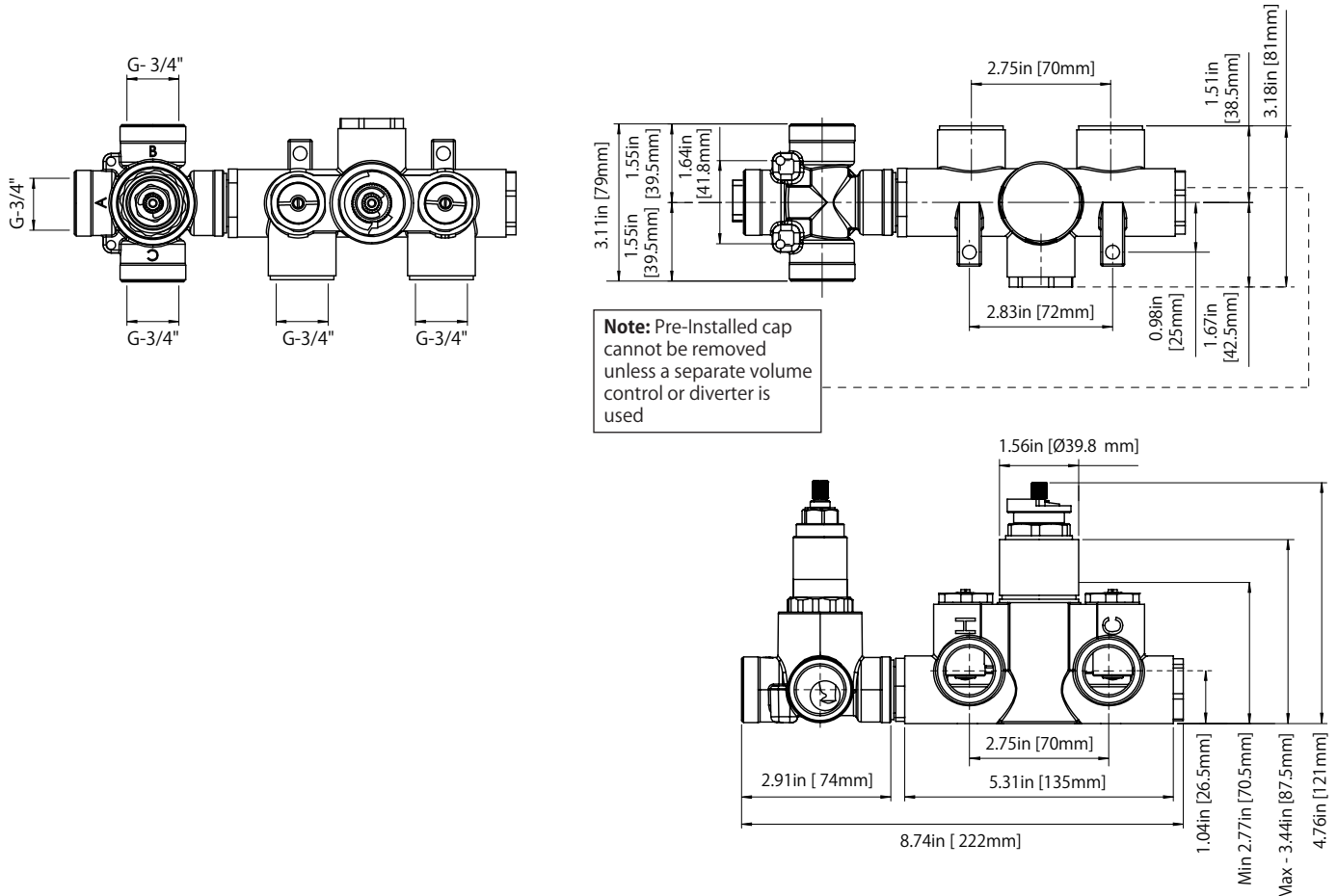


SPECIFICATIONS:

- Turn bottom knob to control temperature.
- Turn top knob to control water flow.
- Thermostatic Valve Flow Rate - 22 LPM @ 3 BAR
- Extension Available - JVH.4101E**

! A separate volume control is **not** needed to turn water supply off. Volume control functionality is integrated within this valve.

Technical Diagram



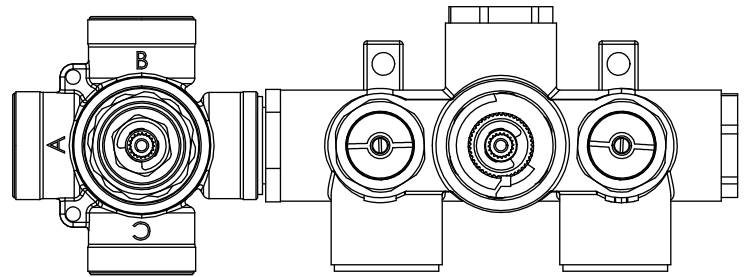
JVH.2717F | 3/4" Thermostatic Mixer Valve - 2 Output Page 2 of 2

THREE OUTPUT - NO SHARED PORT OPERATION

Diverter Cartridge # - **15100** (Included)

Total 6 Positions as defined below, with **only** 1 port active at one time.

- Position 0 - Off - No Water Flow
- Position 1 - Output B Activated
- Position 2 - Off - No Water Flow
- Position 3 - Output A Activated
- Position 4 - Off - No Water Flow
- Position 5 - Output C Activated



THREE OUTPUT - SHARED PORT OPERATION

Diverter Cartridge # - **15200** (Not Included)

Total 6 Positions as defined below, with 2 ports active at one time.

- Position 0 - Off - No Water Flow
- Position 1 - Output B Activated
- Position 2 - Output B+A Activated
- Position 3 - Output A Activated
- Position 4 - Output C+A Activated
- Position 5 - Output C Activated

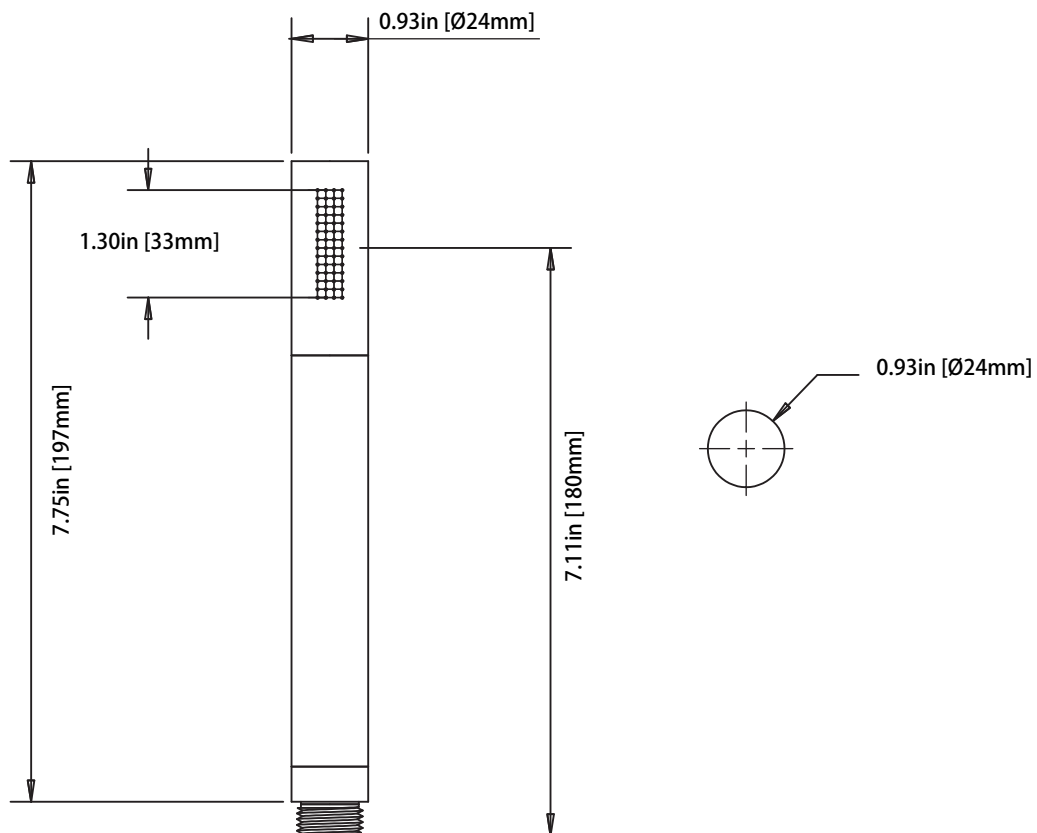
HH1004H | Solid Round Brass Hand Shower

SPECIFICATIONS:

- Solid Brass Construction
- 6 LPM Flow Rate @ 3 BAR
- With back flow prevention check valve



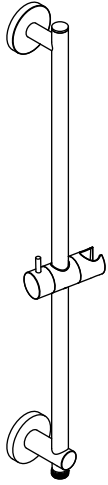
Technical Diagram



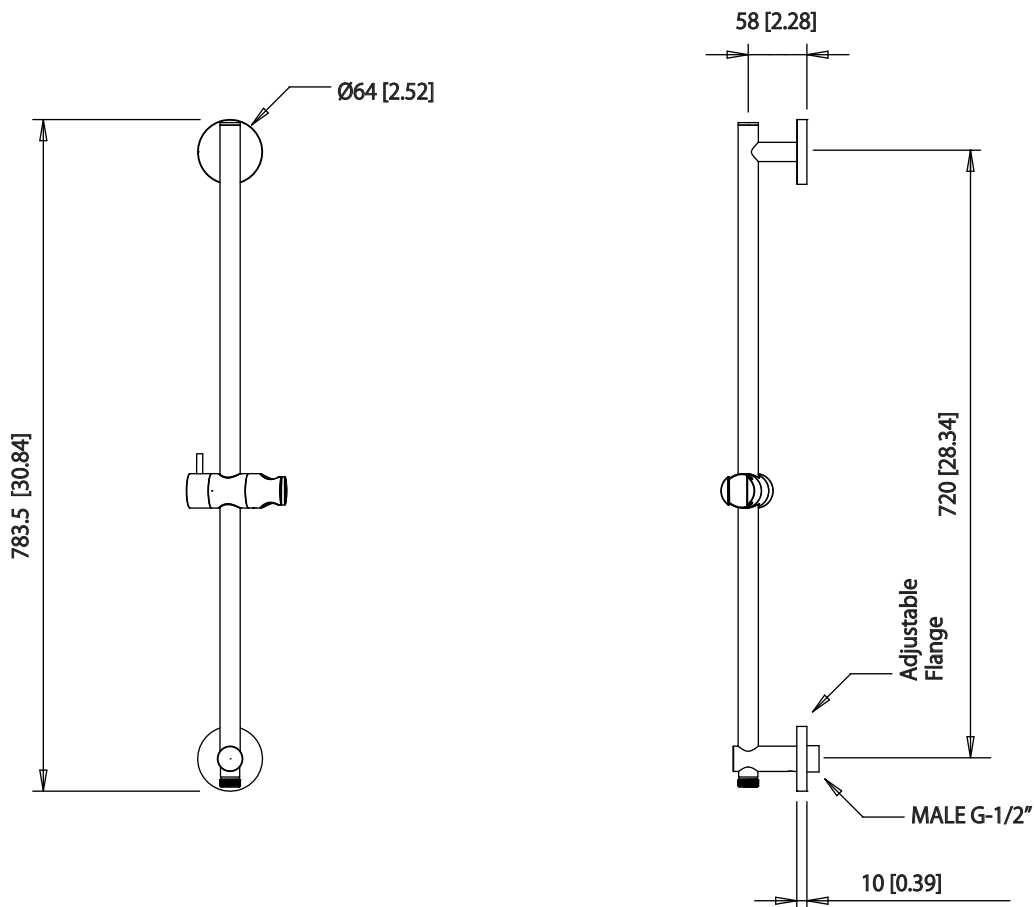
ORO.601023A | Slide Bar With Integrated Wall Elbow

SPECIFICATIONS:

- Solid Brass Construction
- Easy front of wall installation
- Integrated wall elbow
- 1/2" male connection with adjustable slide on installation
- Includes check valve with back-flow prevention



Technical Diagram



HH.150EM | Easy Maneuver Hose



SPECIFICATIONS:

- Stainless steel construction
- G-1/2" connection
- 1.5m length

Technical Diagram

