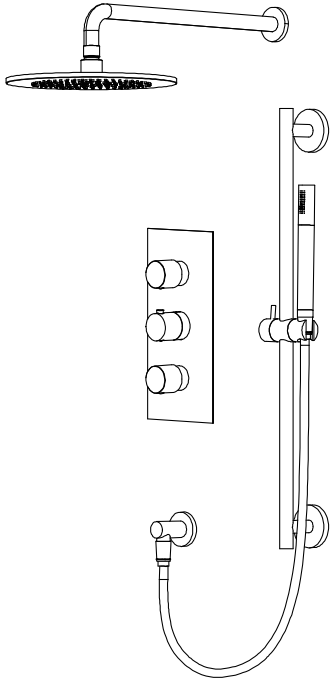


---

**ORO.7200 | Two Output Shower W/ Rain Shower, Hand Shower, & Slide Bar**



**COMPONENTS**

- HH1012SA - 16" Shower Arm
- RHB.10R - 10" Shower Head
- ORO.4401T - Shower Trim
- JVH.4401 - Shower Valve
- HH1004H - Hand Shower
- ORO.5502 - Wall Elbow
- HH.150EM - 1.5m Hose
- ORO.601001A - Slide Bar

**SHOWER VALVE:**

- Thermostatic shower valve w/ stops
- Bottom handle controls handshower.
- Top handle controls shower head
- Middle handle controls temperature
- Shared port operation

**SHOWER HEAD:**

- Solid brass construction
- 11 LPM flow rate

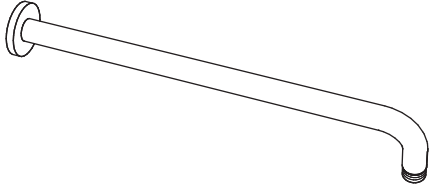
**HAND SHOWER W/ SLIDE BAR & ELBOW:**

- Solid Brass construction
- Hand held flow rate = 6 LPM
- 1/2" male elbow connection
- With back flow prevention check valve

---

See individual component specification sheets on following pages for further details.

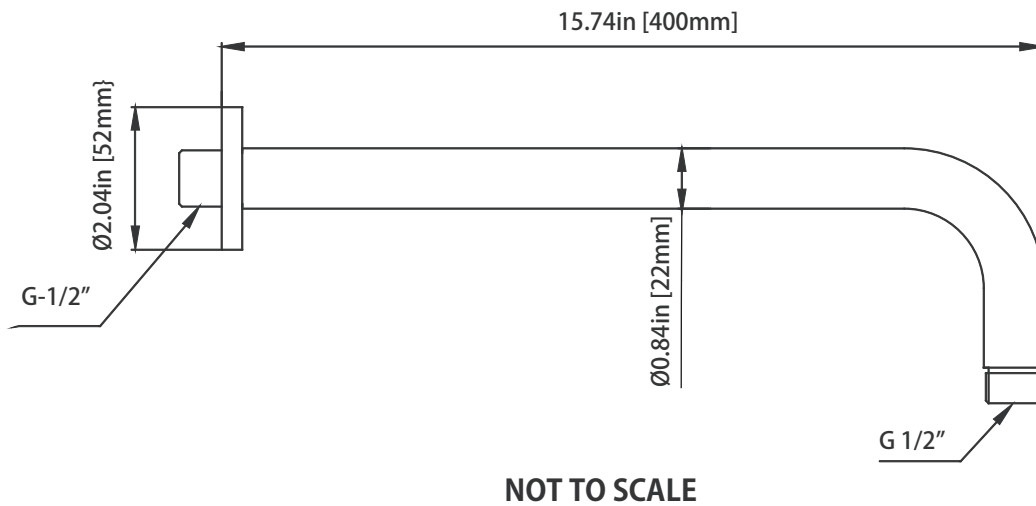
HH1012SA | Round Shower Arm - 400mm - 16"



**SPECIFICATIONS:**

- Solid Brass Shower Arm
- With Sliding Flange

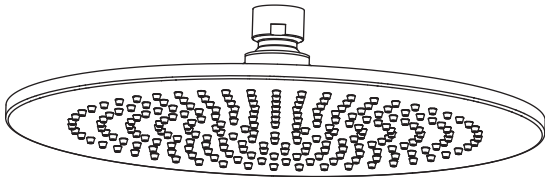
**Technical Diagram**



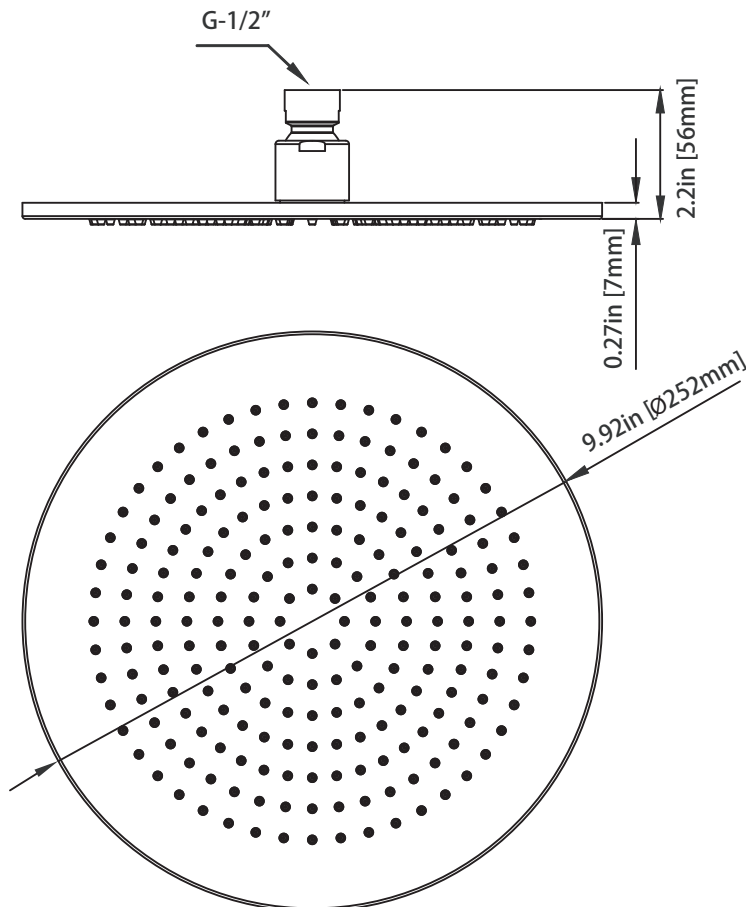
RHB.10R | 10" Round Brass Shower Head

SPECIFICATIONS:

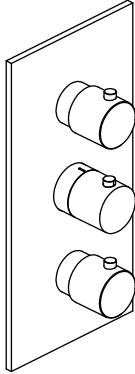
- Solid Brass Shower Head
- Scrub rubber nozzles to easily clean water sediment
- 11 LPM Flow Rate
- 121 Nozzles



Technical Diagram



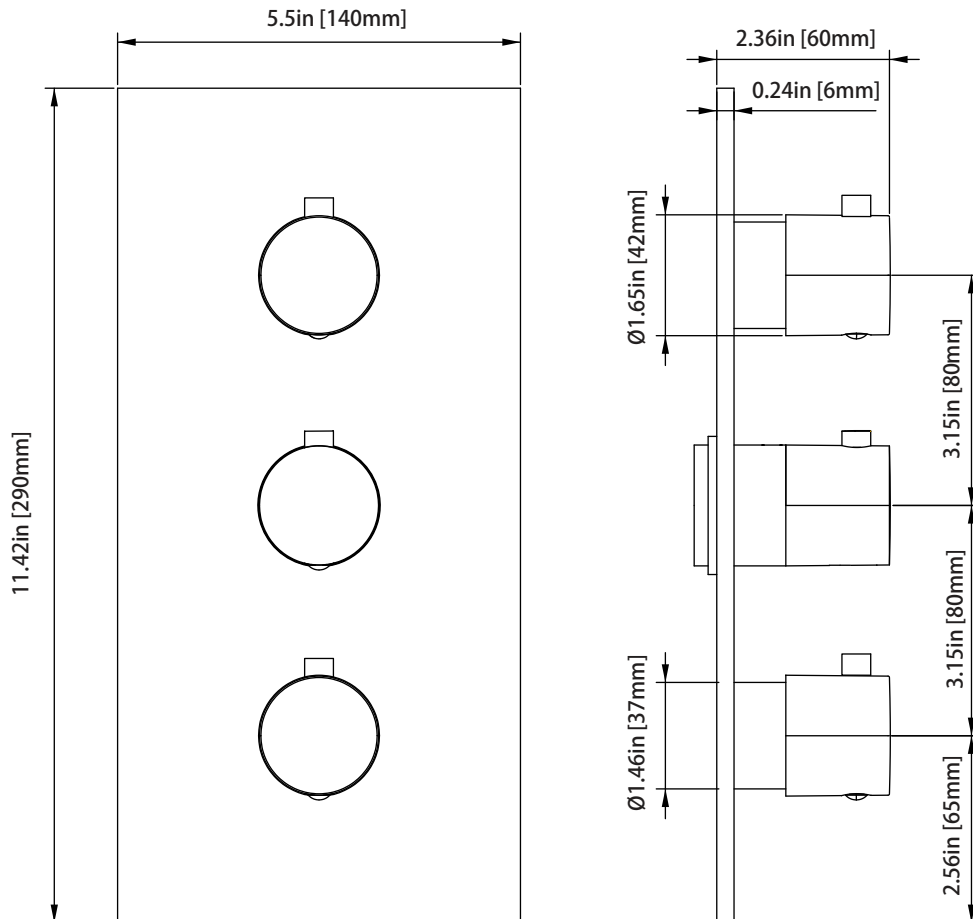
ORO.4500T | Three Handle Thermostatic Trim



SPECIFICATIONS:

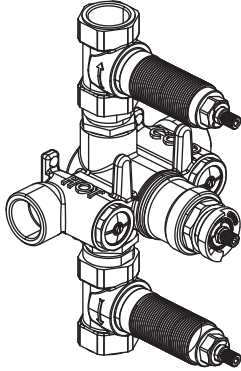
- Solid Brass construction
- Trim only - valve not included
- Turn middle knob to control temperature.
- Turn top knob to divert water flow between two top outlets.
- Turn bottom knob to control water flow of bottom outlet.

Technical Diagram



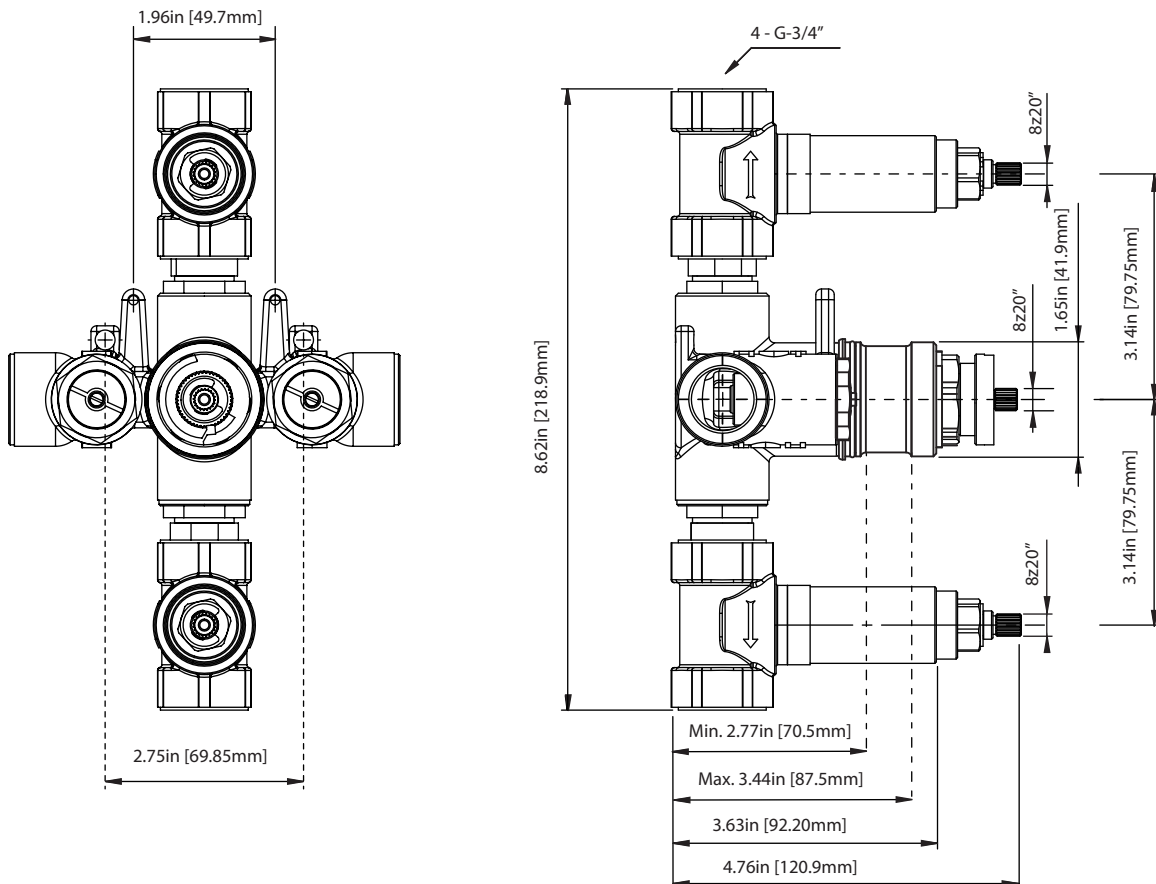
## TVH.4401 | 3/4" Thermostatic Mixer Valve - 2 Output Page 1 of 2

### SPECIFICATIONS:



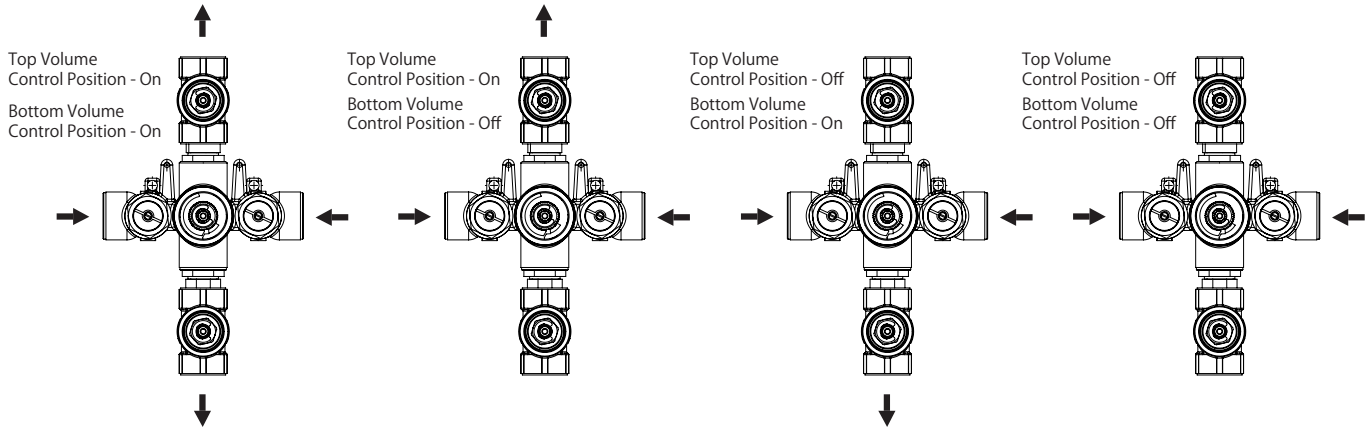
- Turn middle knob to control temperature.
- Turn top knob to control water flow from top output.
- Turn bottom to control water flow from bottom output.
- Thermostatic Valve Flow Rate - 36 LPM @ 3 BAR
- Extension Available - JVH.4401E\*\*

### Technical Diagram



TVH.4401 | 3/4" Thermostatic Mixer Valve - 2 Output Page 2 of 2

**Water Flow Diagram**



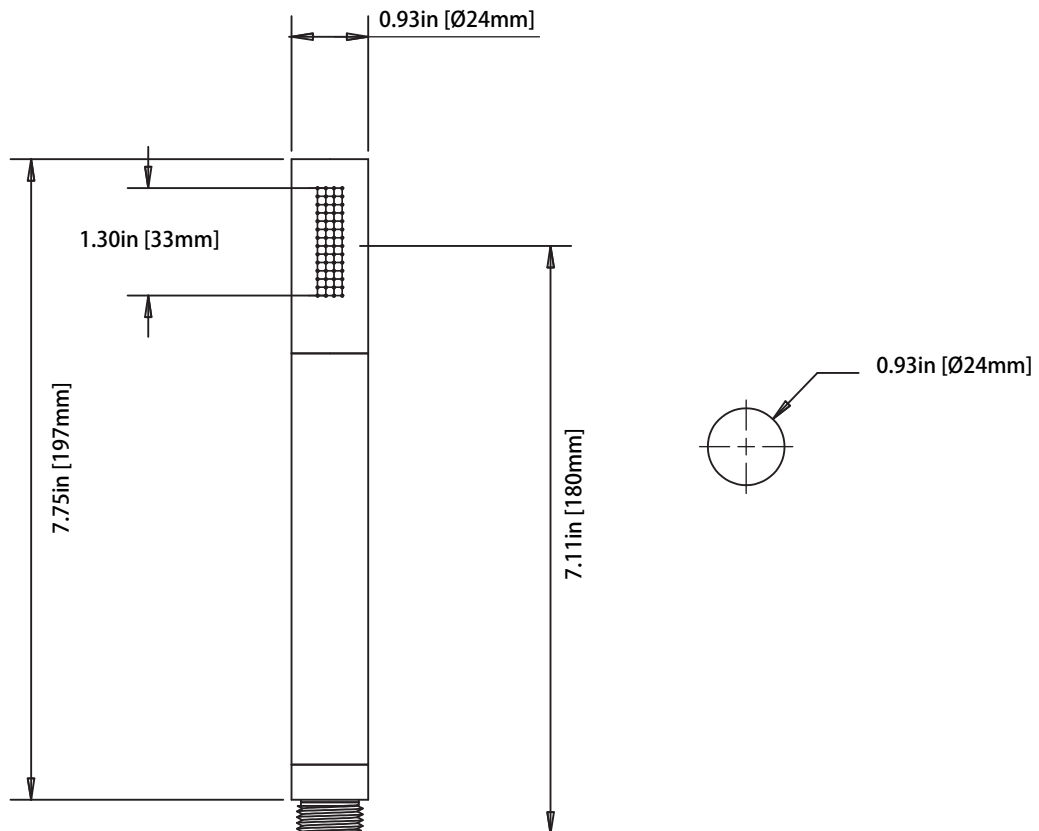
HH1004H | Solid Round Brass Hand Shower

SPECIFICATIONS:

- Solid Brass Construction
- 6 LPM Flow Rate @ 3 BAR
- With back flow prevention check valve



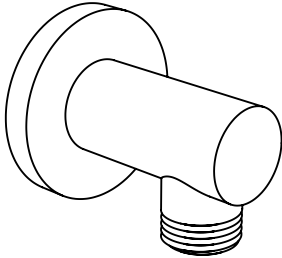
Technical Diagram



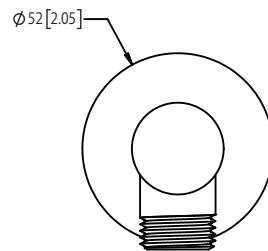
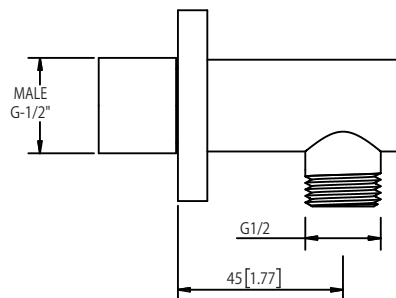
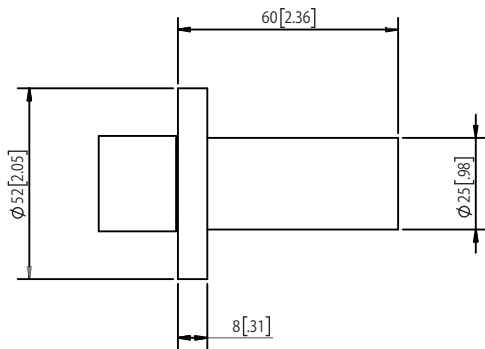
**ORO.5502 | Wall Elbow Outlet**

**SPECIFICATIONS:**

- Solid Brass construction
- 1/2" male connection with adjustment
- Includes check valve with back-flow prevention



**Technical Diagram**





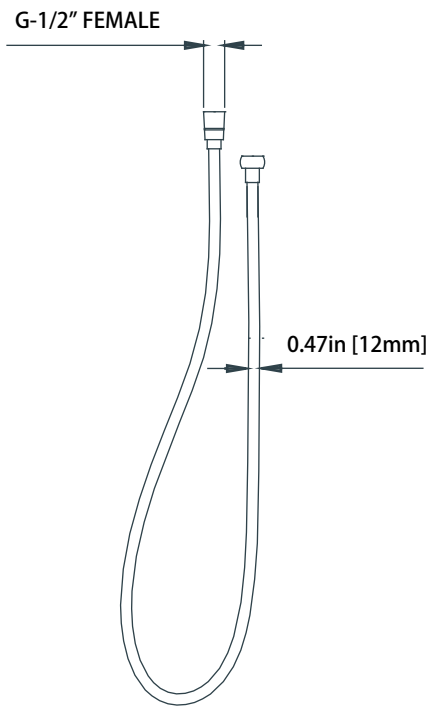
HH.150EM | Easy Maneuver Hose



SPECIFICATIONS:

- Stainless steel construction
- G-1/2" connection
- 1.5m length

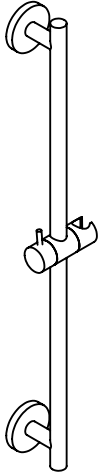
Technical Diagram



ORO.601001A | Slide Bar

SPECIFICATIONS:

- Solid Brass Construction
- Easy front of wall installation



Technical Diagram

