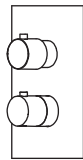
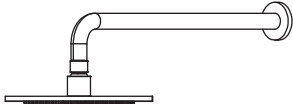


100.7000 | Single Output Shower W/ Rain Head



**COMPONENTS**

- HS1012SA - 16" Shower Arm
- HS1002A - 8" Shower Head
- 100.4000T - Shower Trim
- TVH.4101 - 3/4" Shower Valve

**SHOWER VALVE:**

- Thermostatic shower valve
- Valve includes service stops
- Turn bottom handle to set temp.
- Top handle controls water volume

**SHOWER HEAD:**

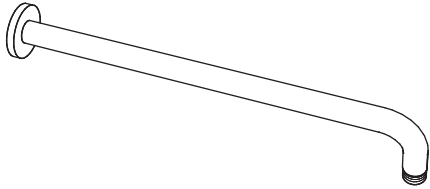
- Solid brass construction
- 1.8 GPM flow rate

**STANDARDS:**

- ASME A112.18.1 / CSA B125.1

See individual component specification sheets on following pages for further details.

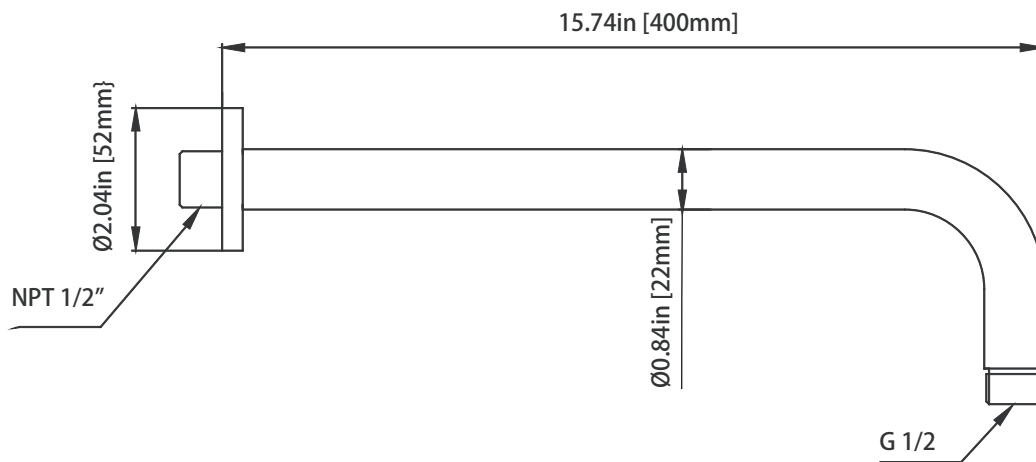
HS1012SA | Round Shower Arm - 400mm - 16"



SPECIFICATIONS:

- Solid Brass Shower Arm
- With Sliding Flange

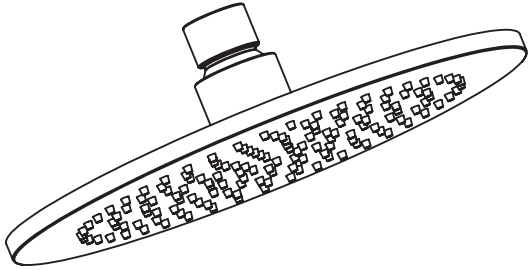
Technical Diagram



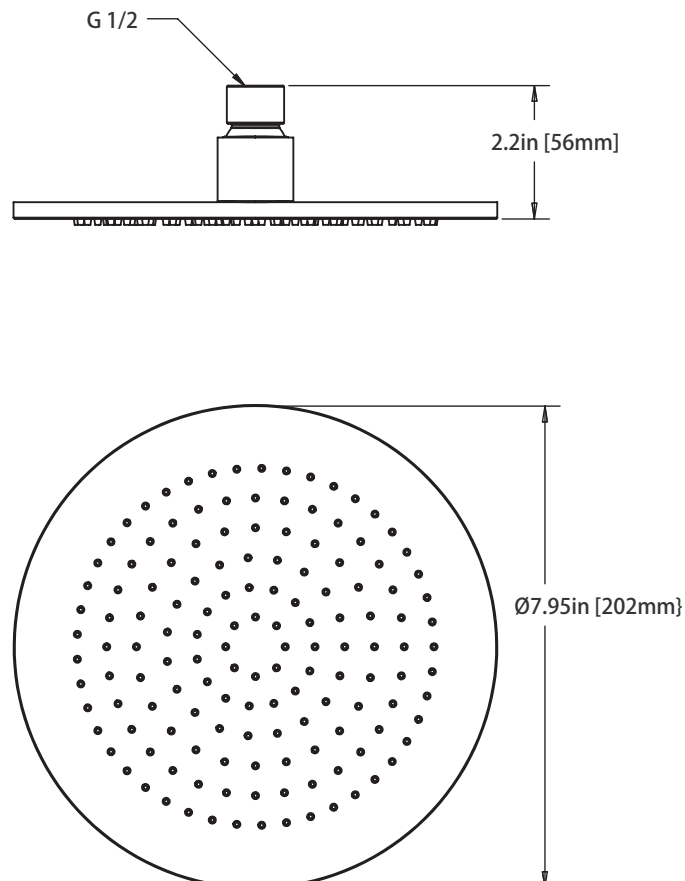
HS1002A | 8" Brass Shower Head

SPECIFICATIONS:

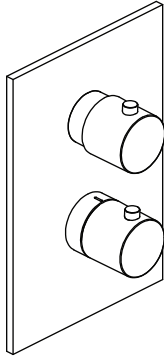
- Solid Brass Shower Head
- Scrub rubber nozzles to easily clean water sediment
- 1.8 GPM Flow Rate



Technical Diagram



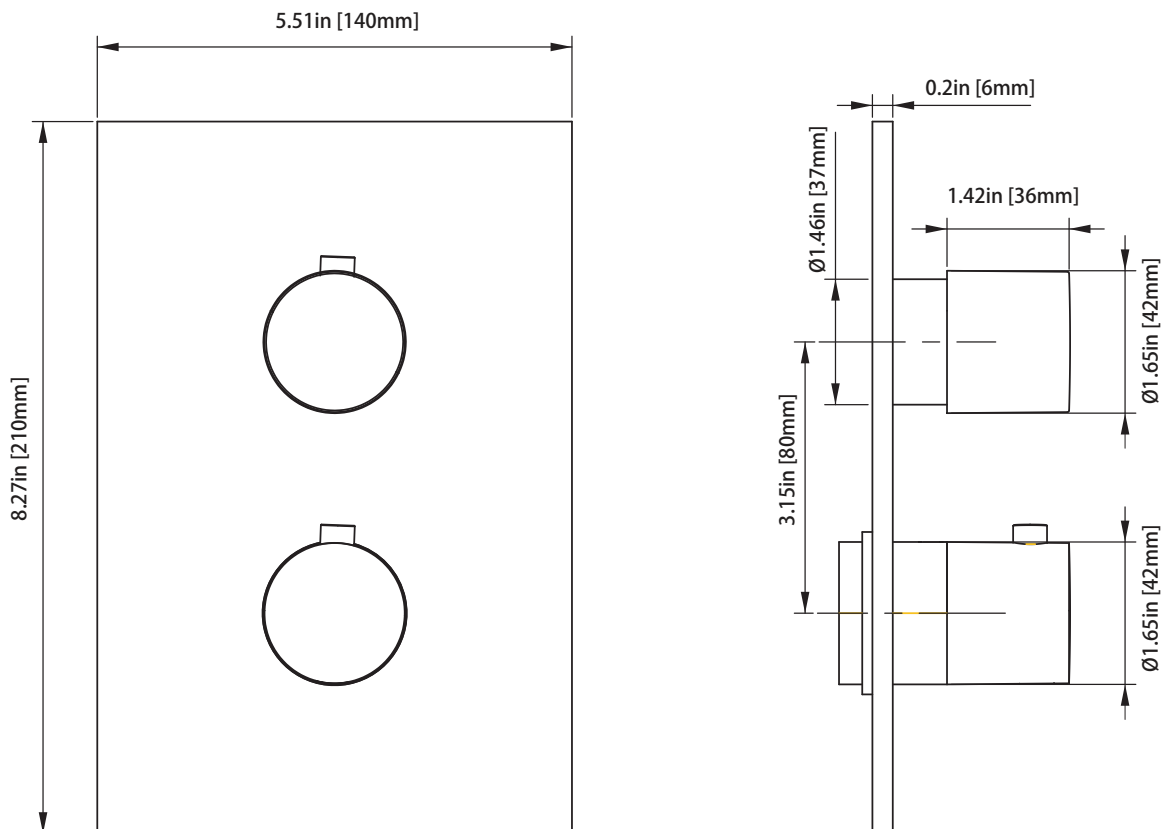
**100.4000T | Thermostatic Shower Trim**



**SPECIFICATIONS:**

- Solid Brass construction
- Valve not included - trim only
- Turn bottom handle to control temperature.
- Turn top handle to divert water & control volume

**Technical Diagram**



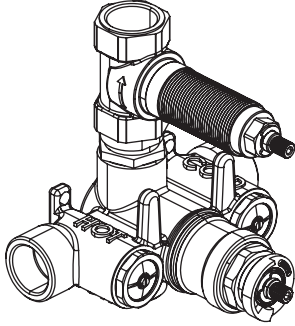
**TVH.4101 | 3/4" Thermostatic Valve With Volume Control** Page 1 of 2

**SPECIFICATIONS:**

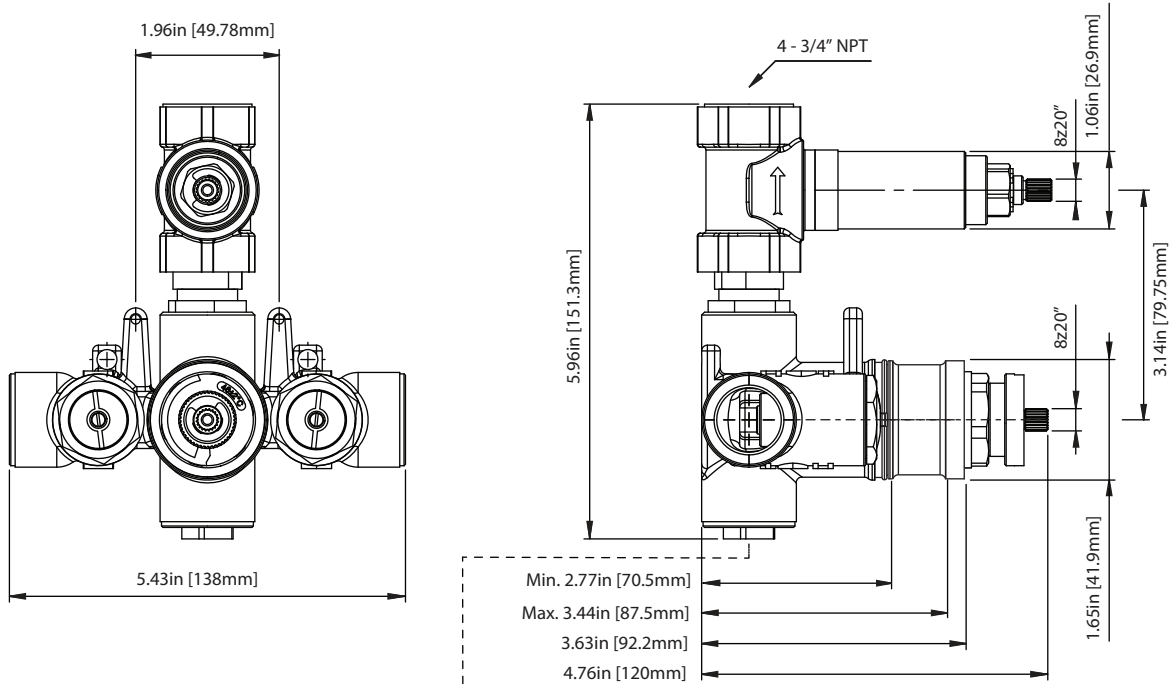
- Turn bottom knob to control temperature.
- Turn top knob to control water flow.
- Thermostatic Valve Flow Rate - 13.0 GPM @ 60 PSI
- Extension Available - TVH.4101E\*\*

**STANDARDS:**

- ASME A112.18.1 / CSA B125.1



**Technical Diagram**



**Note:** Pre-Installed cap cannot be removed unless a separate volume control or diverter is purchased

TVH.4101 | 3/4" Thermostatic Valve With Volume Control Page 2 of 2



Water Flow Diagram

