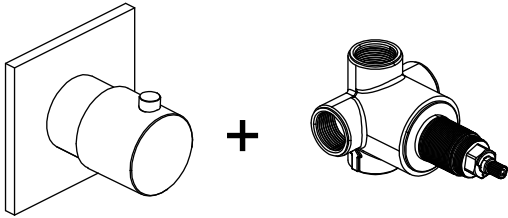


ORO.4371 | 3-Way Diverter Mixer & Trim

SPECIFICATIONS:

- Turn Handle for water diversion.
- Includes valve (JVH.4371)
- Valve Flow Rate - 22 LPM @ 3 BAR



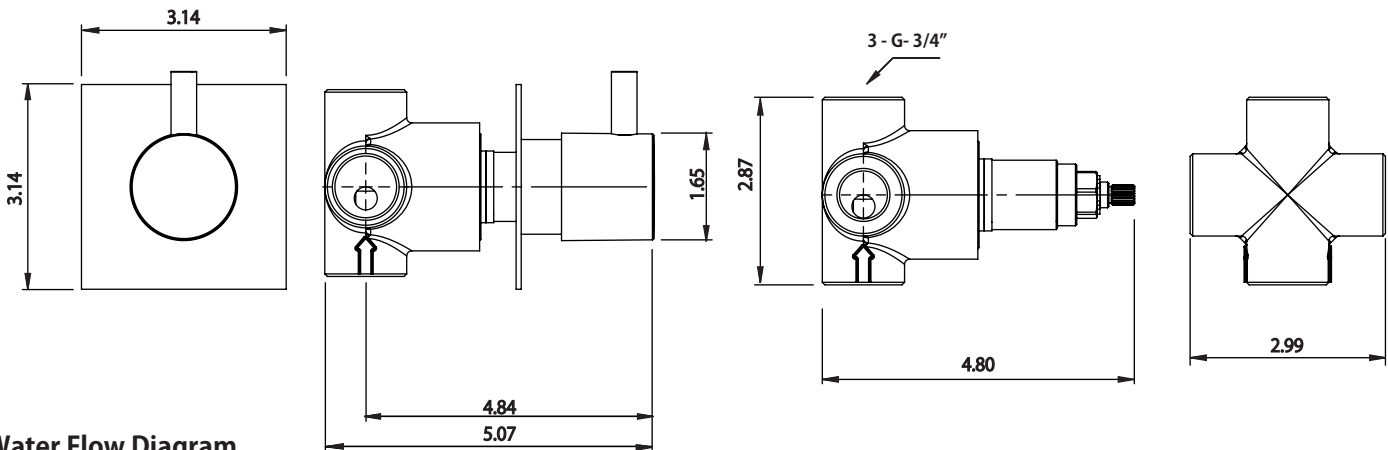
Trim  
[ORO.4511T\*\*]

Valve  
[JVH.4371]

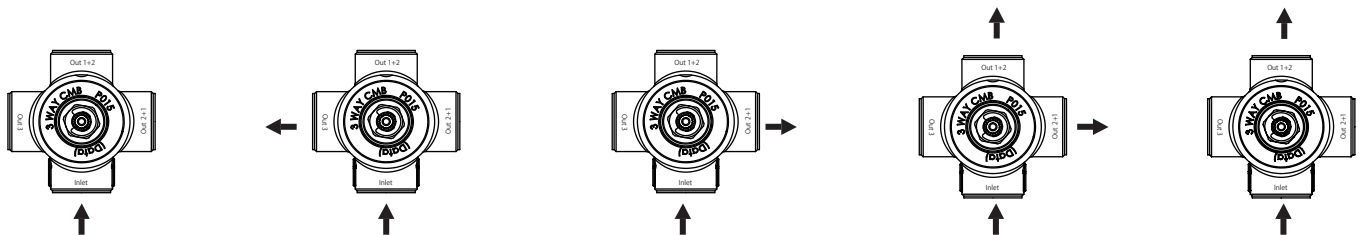
**!** A separate volume control is **not** needed to turn water supply off. Volume control functionality is integrated within this valve.

Technical Diagram

See Spec Sheet For JVH.4371 For Detailed Information On Valve.



Water Flow Diagram



Trim Position = OFF (Top)

Trim Position = 1 (Left)

Trim Position = 2 (Right)

Trim Position = 2/3

Trim Position = 3 (Bottom)