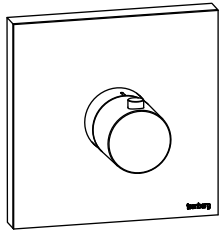


**ORO.4201 | "Thermostatic Mixer Valve with Trim - 3/4"™"**

**SPECIFICATIONS:**

- Turn Handle to control temperature.
- Includes Thermostatic valve (JVH.4201) w/ service stops
- Thermostatic Valve Flow Rate - 36 LPM @ 3 BAR
- Extension Available - JVH.E185E\*\*

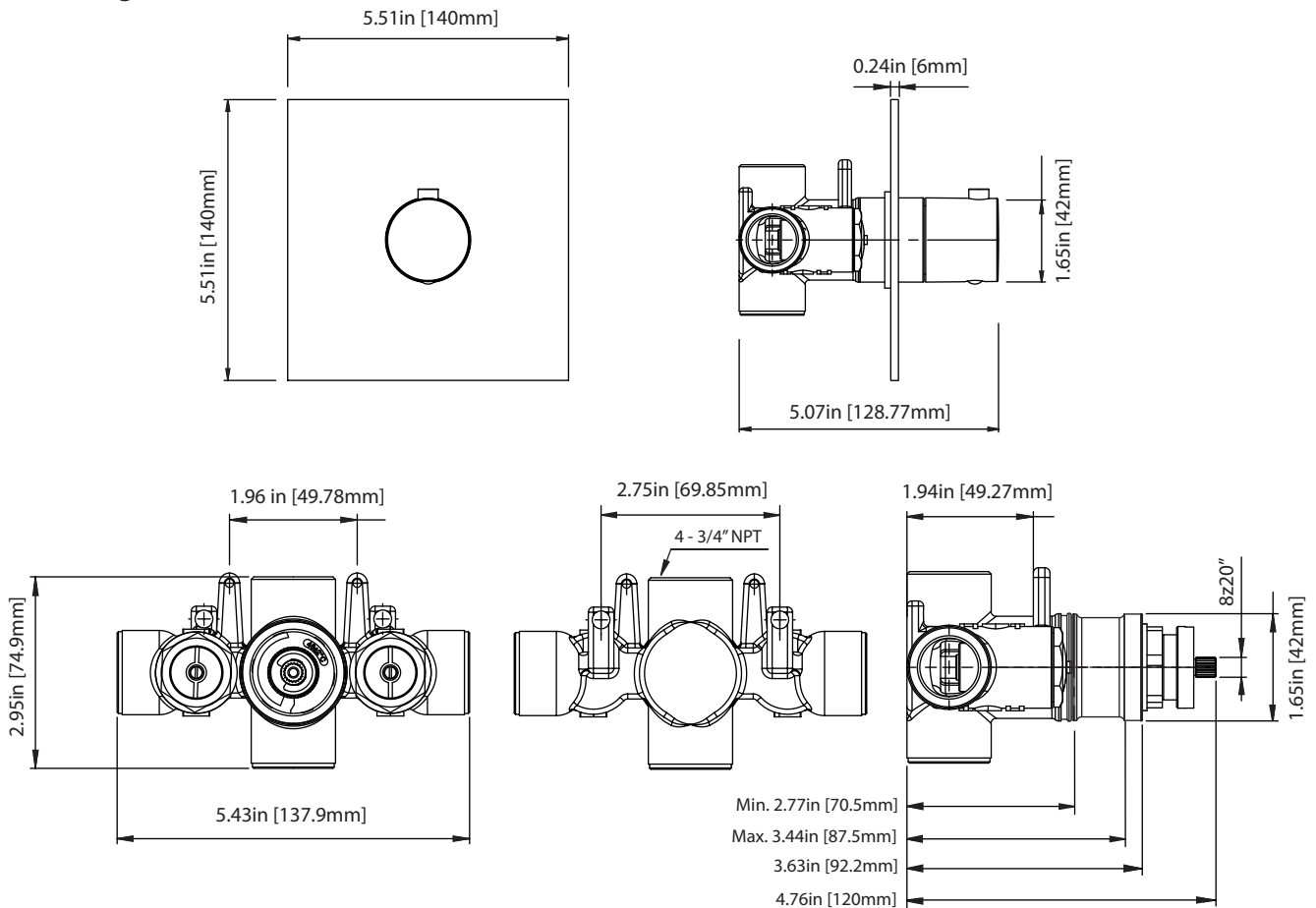


Trim  
[ORO.4201T\*\*]



Valve  
[JVH.4201]

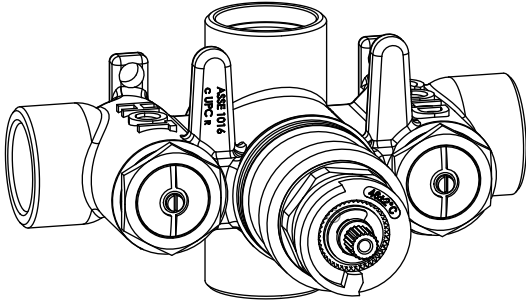
**Technical Diagram**



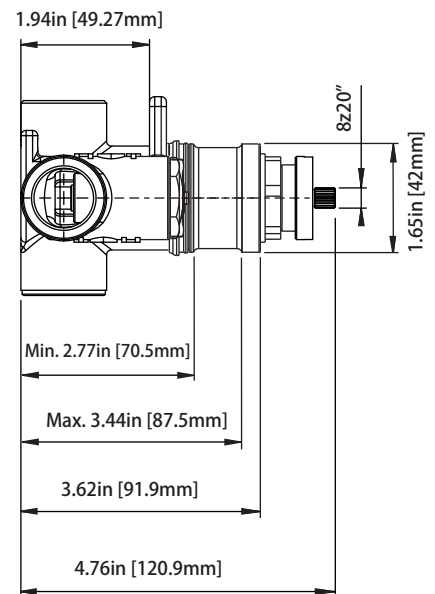
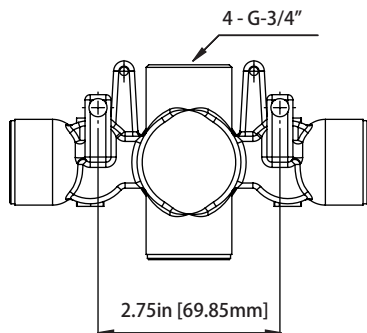
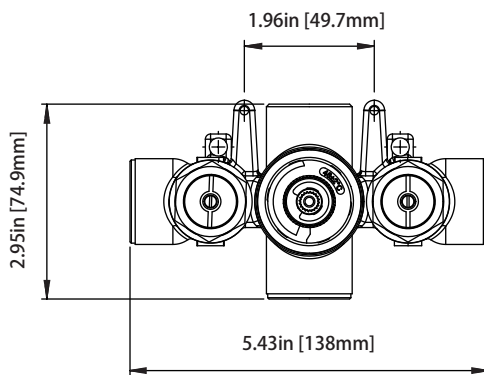
JVH.4201 | 3/4" Thermostatic Mixer Valve Page 1 of 2

SPECIFICATIONS:

- Turn knob to control temperature.
- Thermostatic Valve Flow Rate - 36 LPM @ 3 BAR



Technical Diagram



---

JVH.4201 | 3/4" Thermostatic Mixer Valve Page 1 of 2

Water Flow Diagram

