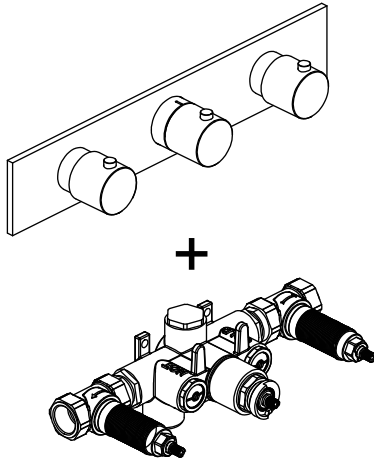


**ORO.2715 | Horizontal Thermostatic Mixer with 2 Volume Controls - 3/4"**



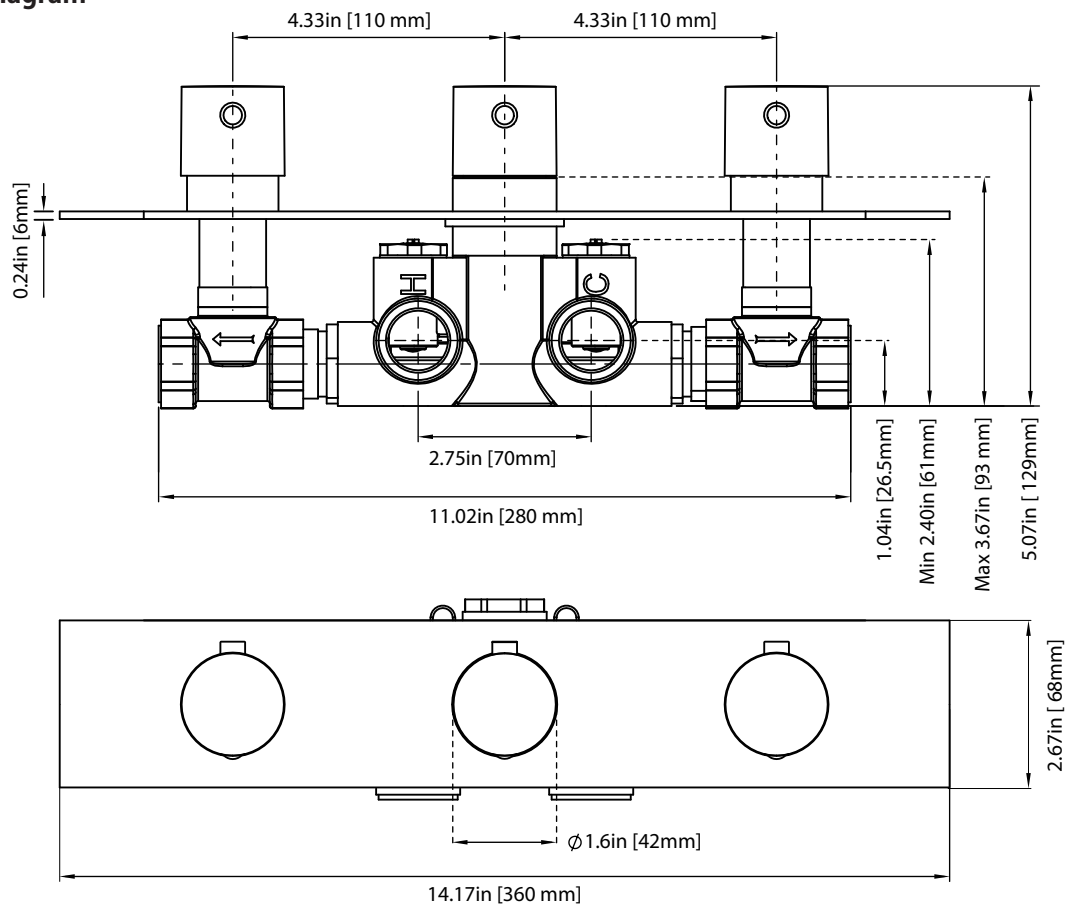
**SPECIFICATIONS:**

- Solid Brass construction
- Two output
- Center knob controls temperature
- Left and right knob controls volume
- Use in tub filler or shower applications
- Thermostatic Valve Flow Rate - 22 LPM @ 3 BAR

ORO.2715 Includes Valve [JVH.2715] + Trim [ORO.2715T\*\*]

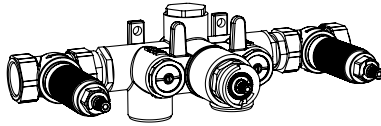
**!** See Spec Sheet For JVH.2715 For Detailed Information On Valve.

**Technical Diagram**



**TVH.2715| 3/4" Thermostatic Mixer Valve - 2 Output**

**SPECIFICATIONS:**



- Solid Brass construction
- Two output
- Center knob controls temperature
- Left and right knob controls volume
- Use in tub filler or shower applications
- Thermostatic Valve Flow Rate - 22 LPM @ 3 BAR
- Extension Available - JVH.4401E\*\*

**Technical Diagram**

