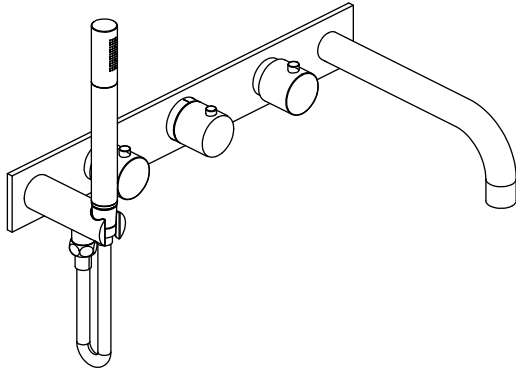


ORO.2691T | Thermostatic Wall Mounted Tub Filler With Hand Shower - Trim Only

SPECIFICATIONS:



- Wall Mount Tub Filler Trim
- Valve not included - Trim Only
- Spout projection = 9"
- Turn center handle to set temperature
- Turn right handle to activate output 1 - Hand Shower
- Turn left handle to activate output 2 - Tub Spout
- Hand Shower & Tub Spout positions can be swapped

Technical Diagram

