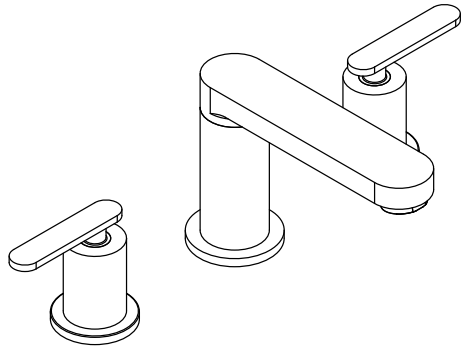


110.2000 | 8" Widespread 3-Hole Faucet



SPECIFICATIONS:

- Solid Brass construction
- Three Hole Installation
- 1.2 GPM Flow Rate @ 60 PSI
- Ceramic disc cartridge allows volume control

STANDARDS:

- ASME A112.18.1 / CSA B125.1, NSF-61



Drain Included

LowFlow Capable



Legislation Compliance



Low Lead Compliant



ZeroDrip Technology



Technical Diagram

