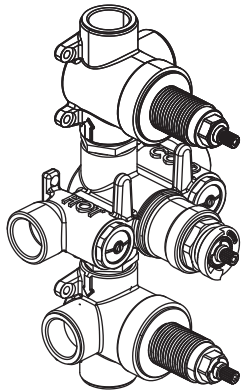




TVH.4801 | Four Output 3/4" Thermostatic Valve



SPECIFICATIONS:

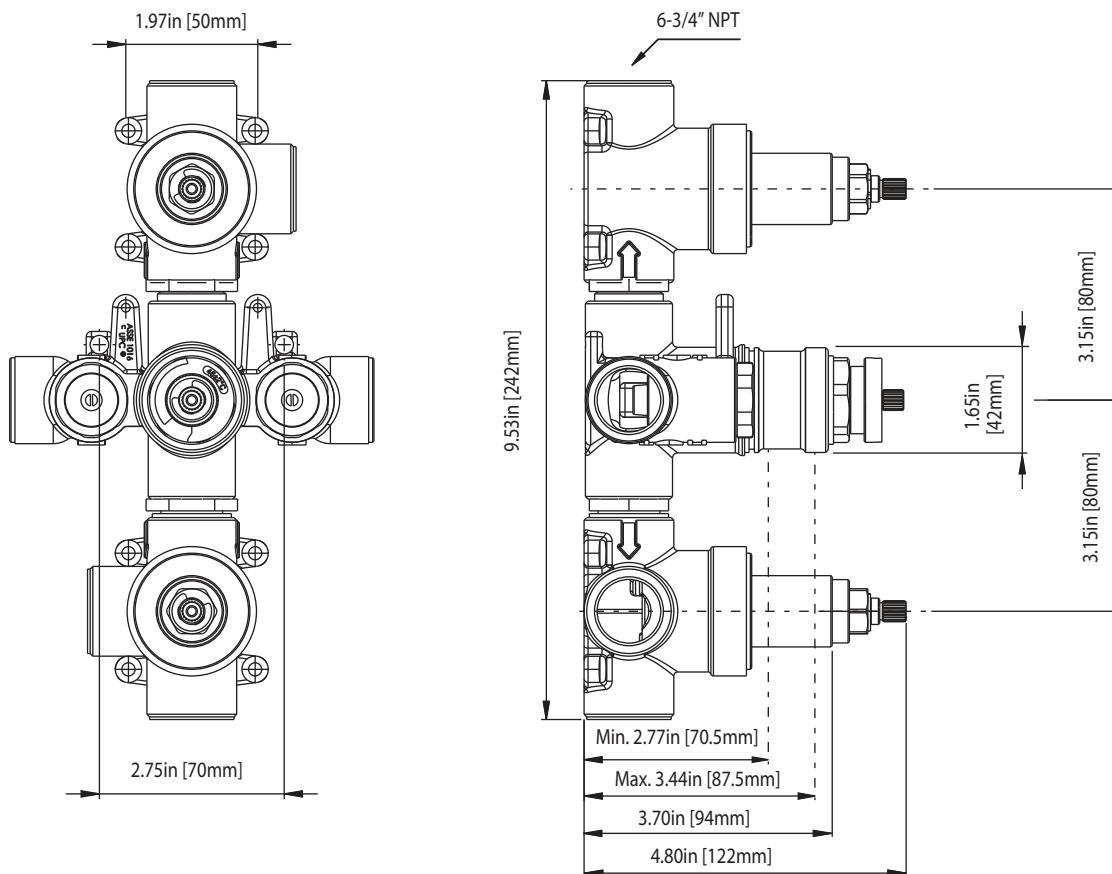
- Turn middle knob to control temperature.
- Turn top knob to divert water flow between outlets 1 & 2.
- Turn top knob to divert water flow between outlets 3 & 4.
- Thermostatic Valve Flow Rate - 8.0 GPM @ 60 PSI
- Extension Available - TVH.4401E**

STANDARDS:

- ASME A112.18.1 / CSA B125.1

! A separate volume control is **not** needed to turn water supply off. Volume control functionality is integrated within this valve.

Technical Diagram



TVH.4801 | Four Output 3/4" Thermostatic Valve



OUTPUT OPERATION

TOP HANDLE

Total 3 Positions as defined below, with **only** 1 port active at one time.

- Position 0 - Off - No Water Flow
- Position 1 - Output 1 Activated
- Position 2 - Output 2 Activated

BOTTOM HANDLE

Total 3 Positions as defined below, with **only** 1 port active at one time.

- Position 0 - Off - No Water Flow
- Position 1 - Output 3 Activated
- Position 2 - Output 4 Activated

PORT OPERATION

Ports that can be operated simultaneously:

- Output 1 & 3 can be operated simultaneously
- Output 1 & 4 can be operated simultaneously
- Output 2 & 3 can be operated simultaneously
- Output 2 & 4 can be operated simultaneously

Ports that cannot be operated simultaneously:

- Output 1 & 2 cannot be operated simultaneously
- Output 3 & 4 cannot be operated simultaneously

