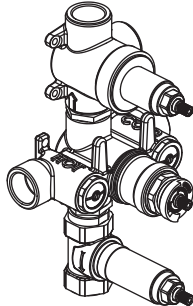


TVH.4501 | Three Output 3/4" Thermostatic Valve Page 1 of 2



**SPECIFICATIONS:**

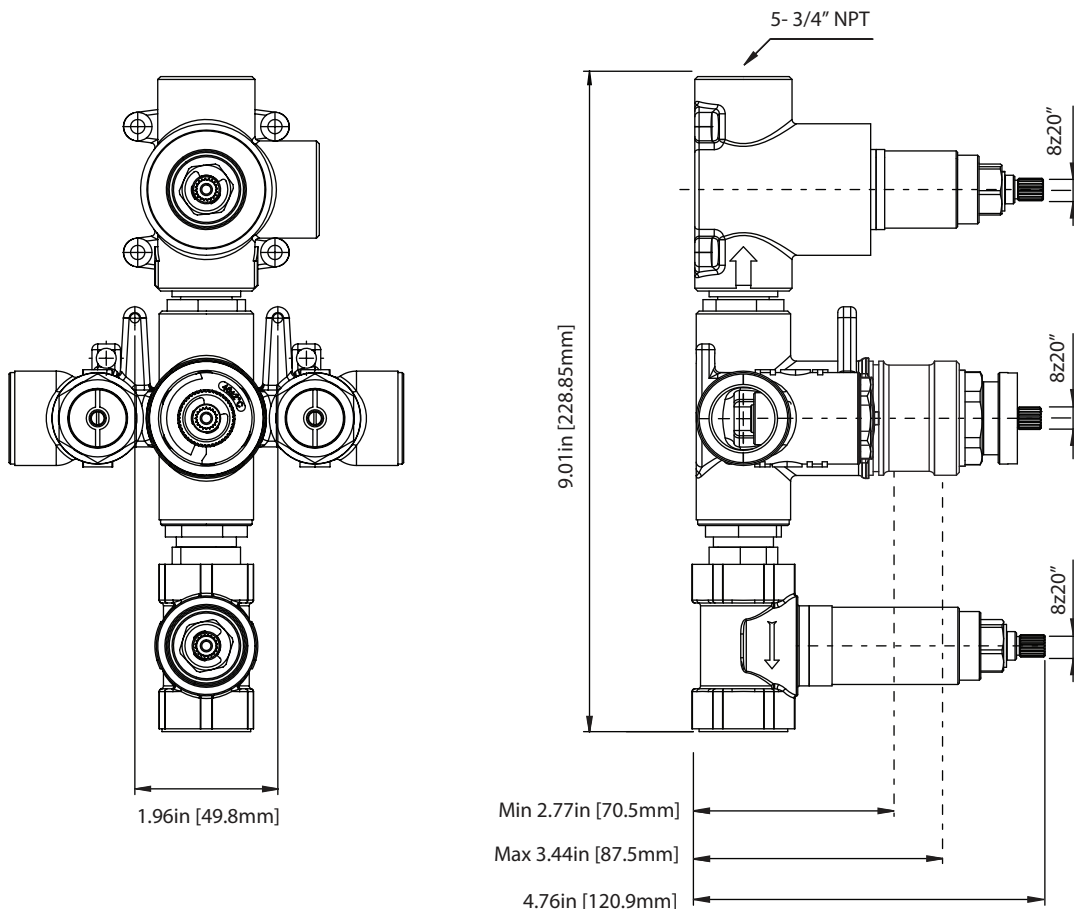
- Turn middle knob to control temperature.
- Turn top knob to divert water flow between outlets 1 & 2.
- Turn bottom knob to control water flow of outlet 3.
- Thermostatic Valve Flow Rate - 13.0 GPM @ 60 PSI

**STANDARDS:**

- ASME A112.18.1 / CSA B125.1

**!**  
A separate volume control is **not** needed to turn water supply off. Volume control functionality is integrated within this valve.

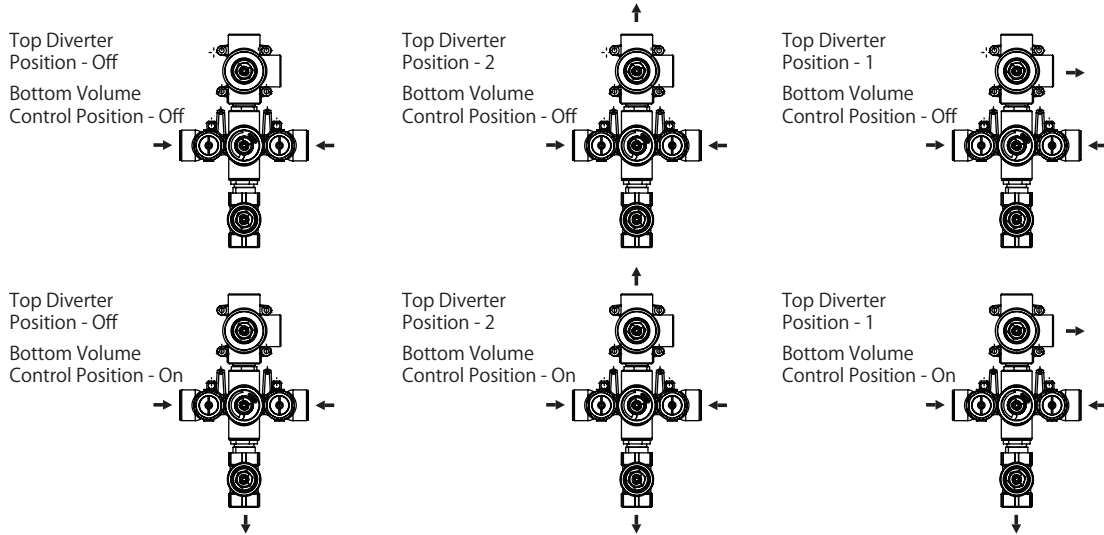
**Technical Diagram**



TVH.4501 | Three Output 3/4" Thermostatic Valve Page 2 of 2



Water Flow Diagram



**OUTPUT OPERATION**

**TOP HANDLE**

Total 3 Positions as defined below, with **only** 1 port active at one time.

- Position 0 - Off - No Water Flow
- Position 1 - Output 1 Activated
- Position 2 - Output 2 Activated

**BOTTOM HANDLE**

Total 2 Positions as defined below, with **only** 1 port active at one time.

- Position 0 - Off - No Water Flow
- Position 1 - Output 3 Activated

**PORT OPERATION**

Ports that can be operated simultaneously:

- Output 1 & 3 can be operated simultaneously
- Output 2 & 3 can be operated simultaneously

Ports that cannot be operated simultaneously:

- Output 1 & 2 cannot be operated simultaneously

