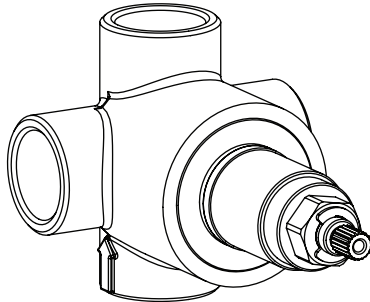




**TVH.4371 | 3/4" 3-Way Diverter With Shut-Off**



**SPECIFICATIONS:**

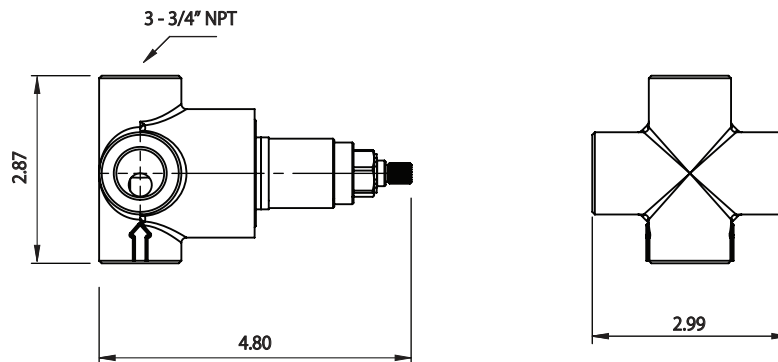
- Turn Handle for water diversion.
- Valve Flow Rate - 13.0 GPM @ 60 PSI
- Extension Available - TVH.E137\*\*

**STANDARDS:**

- ASME A112.18.1 / CSA B125.1

**!** A separate volume control is **not** needed to turn water supply off. Volume control functionality is integrated within this valve.

**Technical Diagram**



**Water Flow Diagram**

