

TVH.4201 | 3/4" Thermostatic Valve Page 1 of 2

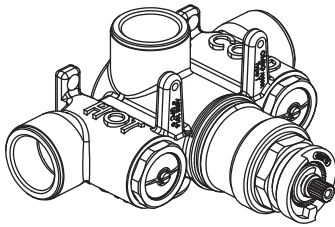


SPECIFICATIONS:

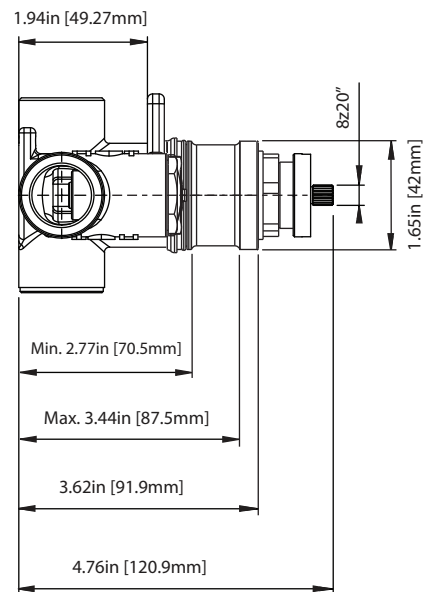
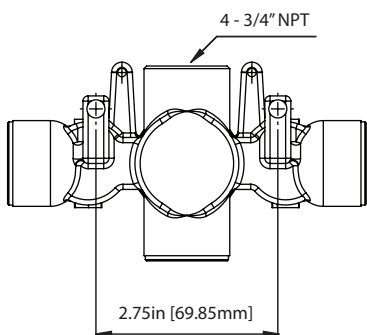
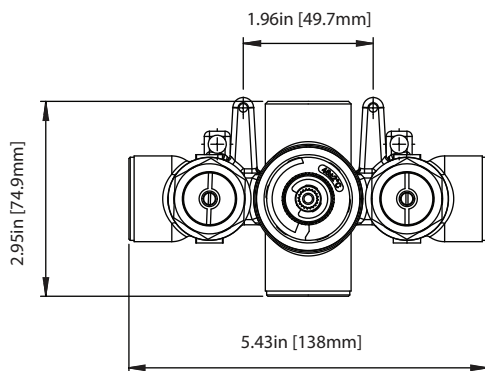
- Turn knob to control temperature.
- Thermostatic Valve Flow Rate - 13.0 GPM @ 60 PSI
- Extension Available - TVH.E185E**

STANDARDS:

- ASME A112.18.1 / CSA B125.1



Technical Diagram



TVH.4201 | 3/4" Thermostatic Valve Page 2 of 2



Water Flow Diagram

