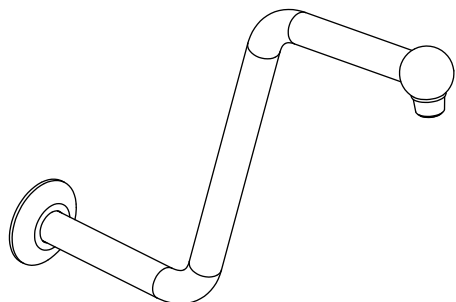


HS1030S | Round Shower Arm



SPECIFICATIONS:

- Solid Brass Shower Arm
- With Sliding Flange
- Standard 1/2" NPT Connection



Legislation Compliance



ZeroDrip Technology



Technical Diagram

