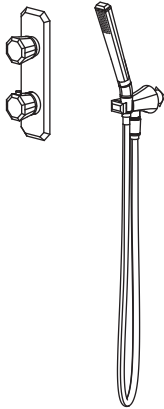


**230.7250 | Two Output Shower W/ Rain Head & Hand Held**



**COMPONENTS**

- RHW.7C - 7" Head w/8" Arm
- 230.4000VT - Shower Trim
- TVH.2717F - Shower Valve
- HS1029H - Hand Held
- 230.8006 - Wall Elbow w/ Holder
- SP.150EM - 1.5m Hose

**SHOWER VALVE:**

- Thermostatic shower valve
- Valve includes service stops
- Turn bottom handle to set temp.
- Top handle controls water diversion
- Includes 15109 non-shared cartridge

**SHOWER HEAD:**

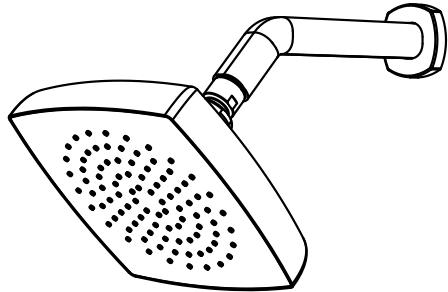
- Solid brass construction
- 1.8 GPM flow rate

**STANDARDS:**

- ASME A112.18.1 / CSA B125.1

See individual component specification sheets on following pages for further details.

**RHW.7C | 7" Brass Shower Head With 8" Wall Mount Shower Arm**



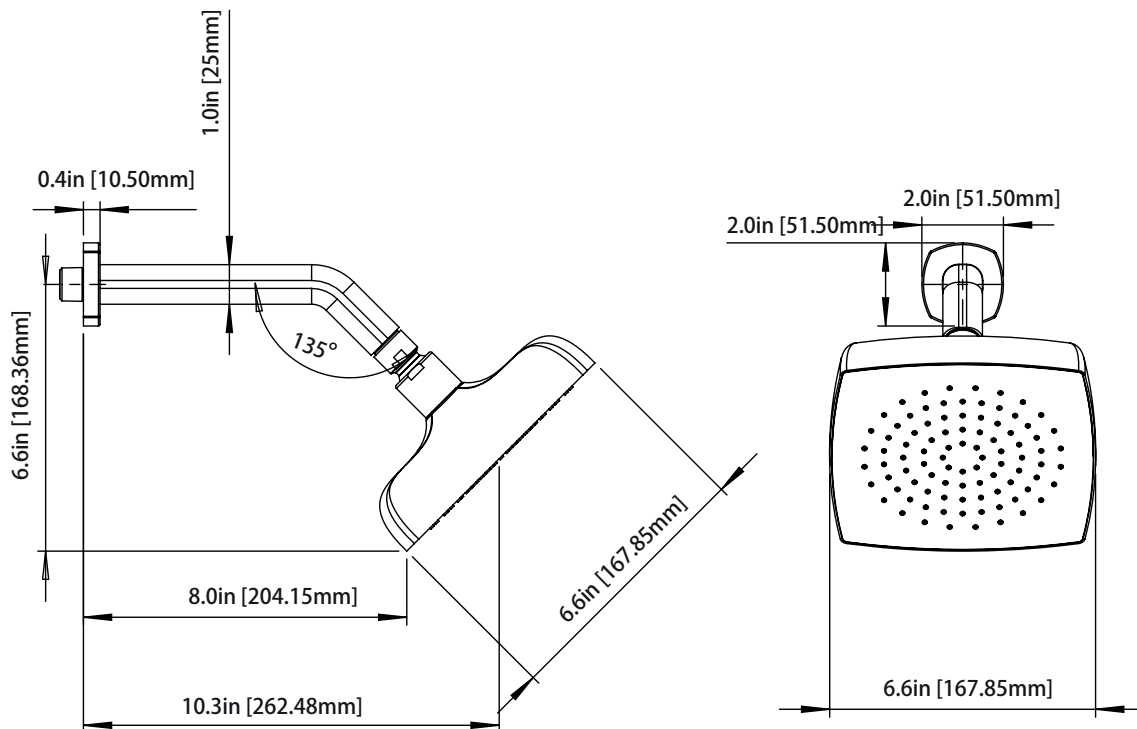
**SPECIFICATIONS:**

- Solid Brass construction
- With Swivel action
- Shower arm has sliding flange

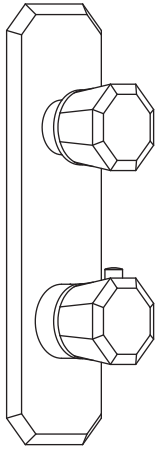
**STANDARDS:**

- ASME A112.18.1 / CSA B125.1

**Technical Diagram**



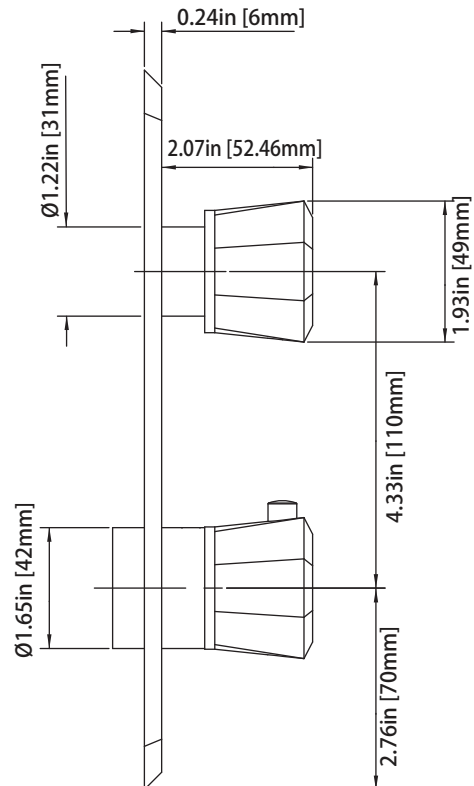
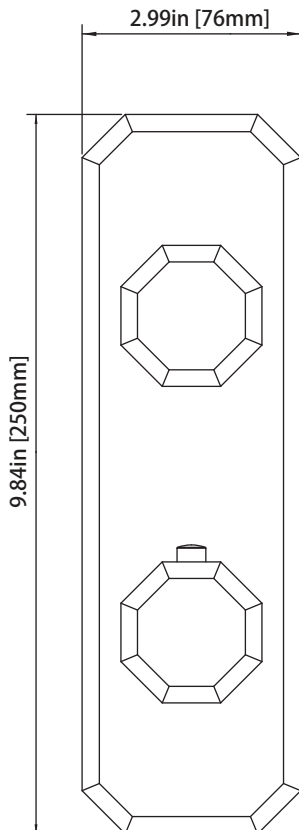
**230.4000VT | Vertical Thermostatic Shower Trim**



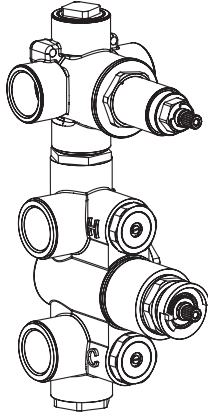
**SPECIFICATIONS:**

- Solid Brass Construction
- Trim Only - Valve Not Included
- Turn bottom handle to control temperature
- Turn top handle to control volume

**Technical Diagram**



**TVH.2717F | 3/4" Thermostatic Valve With 2-Way Diverter & Integrated Volume Control** Page 1 of 2



**SPECIFICATIONS:**

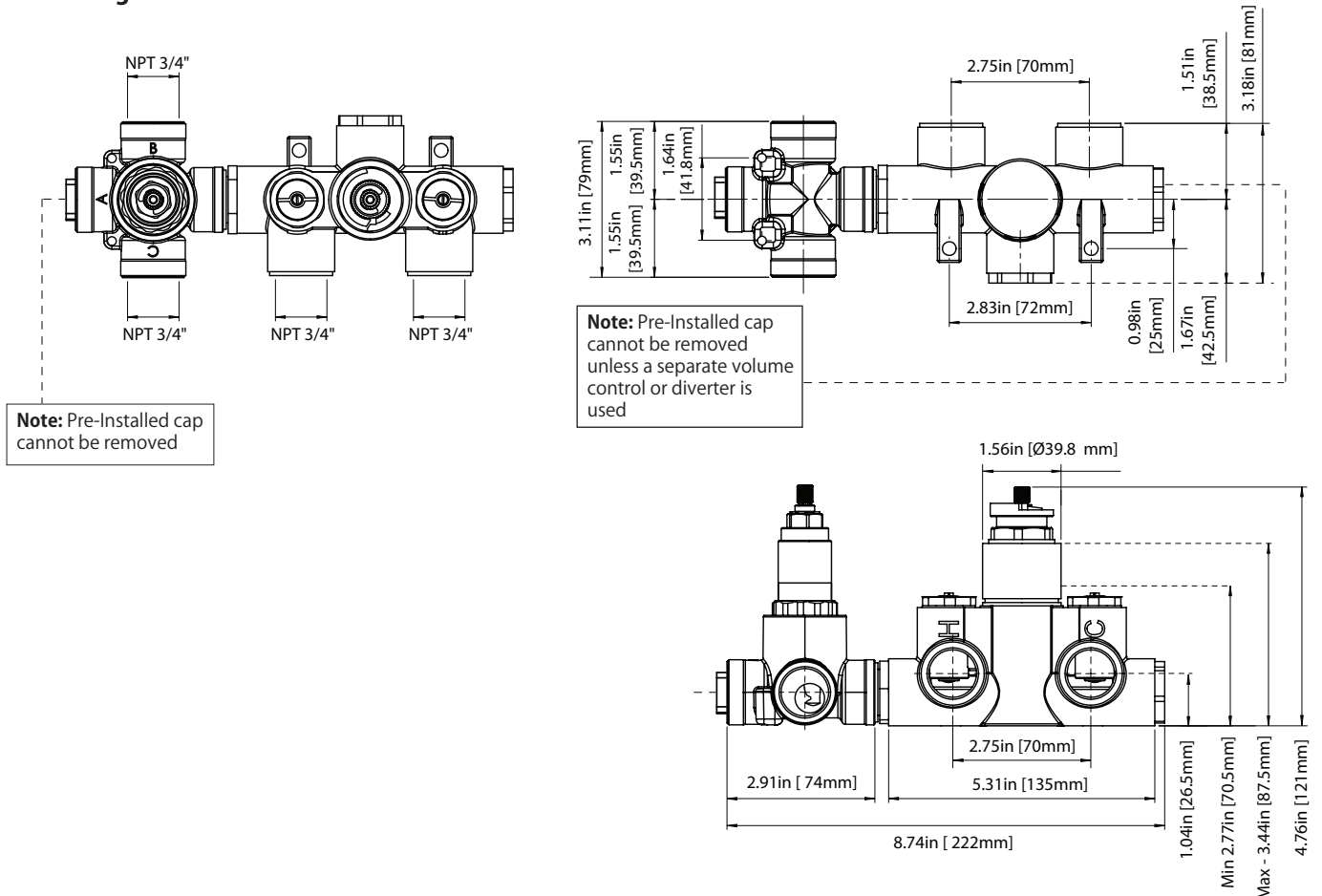
- Turn bottom knob to control temperature.
- Turn top knob to control water flow.
- Thermostatic Valve Flow Rate - 8.0 GPM @ 60 PSI
- Extension Available - TVH.4101E\*\*

**STANDARDS:**

- ASME A112.18.1 / CSA B125.1

**!** A separate volume control is **not** needed to turn water supply off. Volume control functionality is integrated within this valve.

**Technical Diagram**



**TVH.2717F | 3/4" Thermostatic Valve With 2-Way Diverter & Integrated  
Volume Control** Page 2 of 2

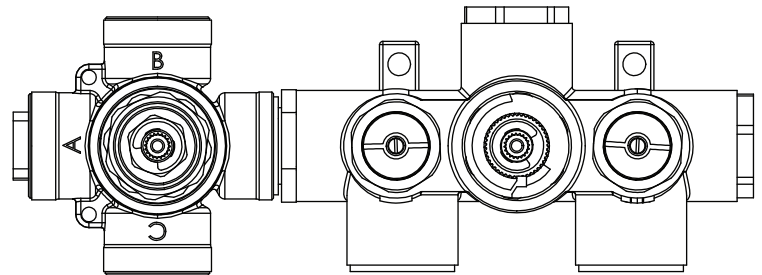


**TWO OUPUT - CAL-GREEN - NO SHARED PORT OPERATION**

Diverter Cartridge # - **15109** (Included)

Total 3 Positions as defined below, with **only** 1 port active at one time.

- Position 0 - Off - No Water Flow
- Position 1 - Output B Activated
- Position 2 - Output C Activated



**TWO OUPUT - SHARED PORT OPERATION**

Diverter Cartridge # - **15103** (Not Included)

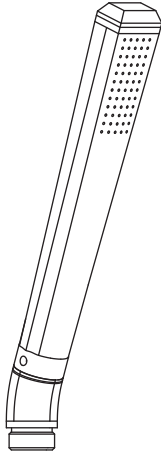
Total 4 Positions as defined below, with 2 ports active at one time.

- Position 0 - Off - No Water Flow
- Position 1 - Output B Activated
- Position 2 - Output B+C Activated
- Position 3 - Output C Activated

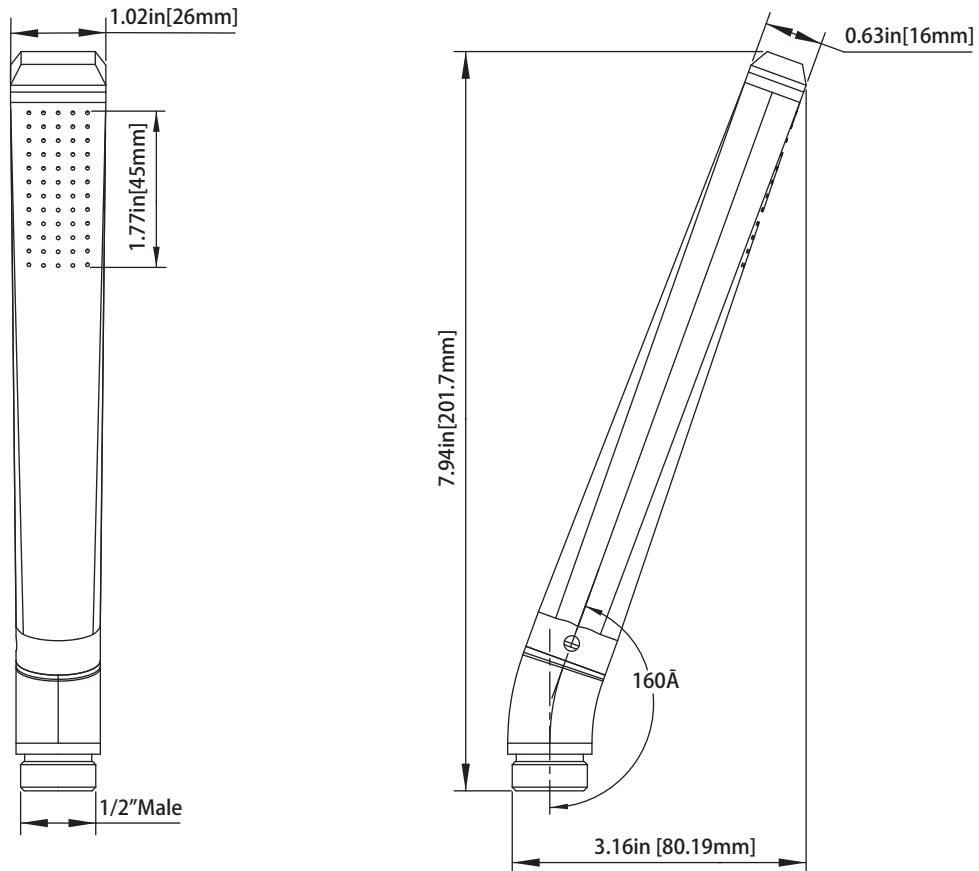
**HS1029H | Solid Brass Hand Shower**

**SPECIFICATIONS:**

- Solid Brass Construction
- 1.8 GPM Flow Rate
- With back flow prevention check valve



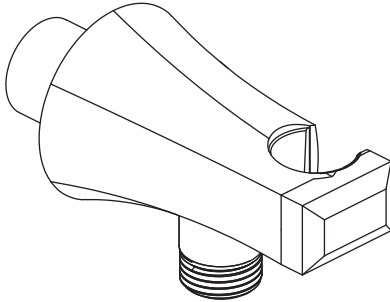
**Technical Diagram**



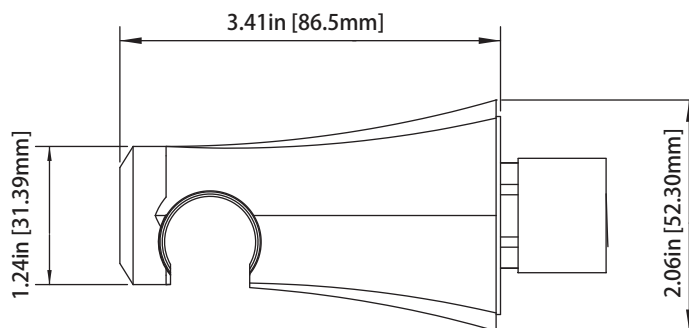
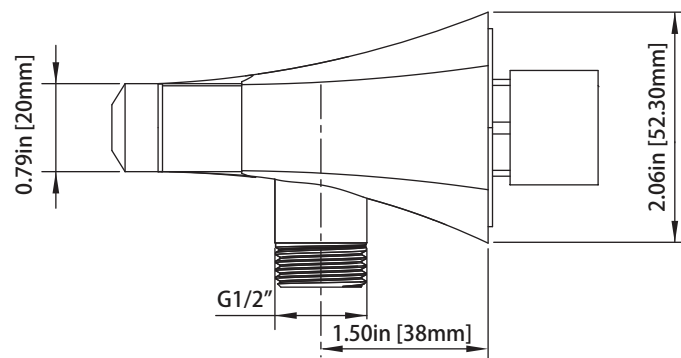
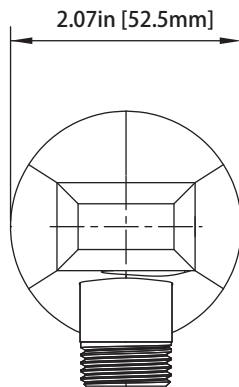
**230.8006 | Wall Elbow With Holder Combo**

**SPECIFICATIONS:**

- Solid Brass Construction
- Includes Check Valve with back flow prevention.



**Technical Diagram**



SP.150EM | Easy Maneuver Hose



SPECIFICATIONS:

- Stainless steel construction
- G-1/2" connection
- 1.5m length

Technical Diagram

