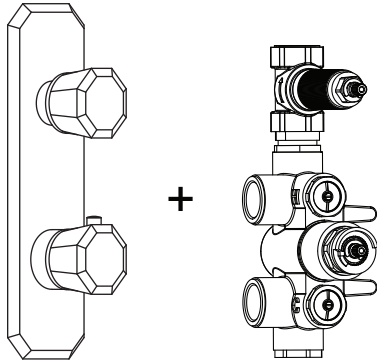


230.2720 | 3/4" Horizontal Thermostatic Valve & Trim With Integrated Volume Control & Trim - For Tub or Shower Applications



Trim [230.4000VT**] + Valve [TVH.2693]

SPECIFICATIONS:

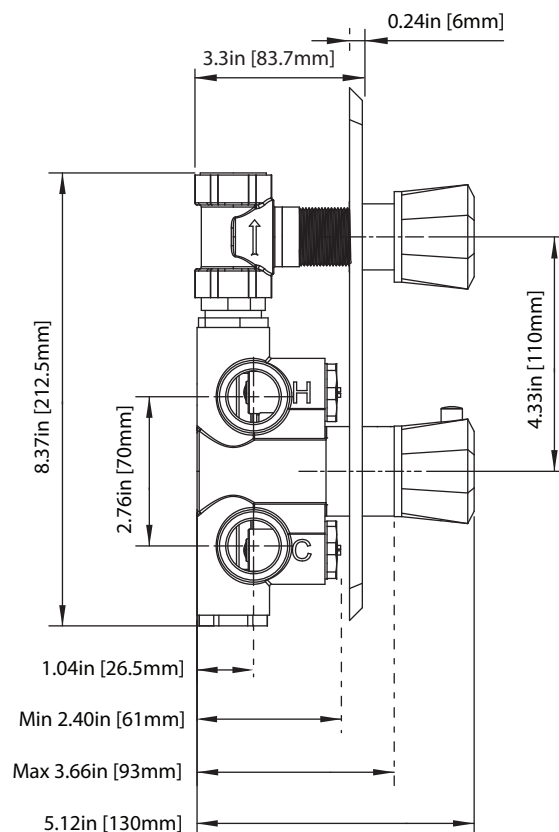
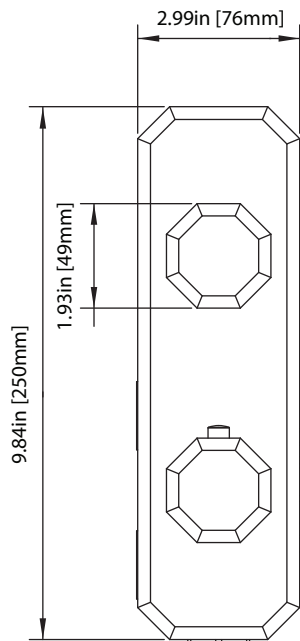
- Solid Brass construction
- Single output
- Bottom knob controls temperature
- Top knob controls volume
- Use in tub filler or shower applications
- Thermostatic Valve Flow Rate - 8.0 GPM @ 60 PSI

STANDARDS:

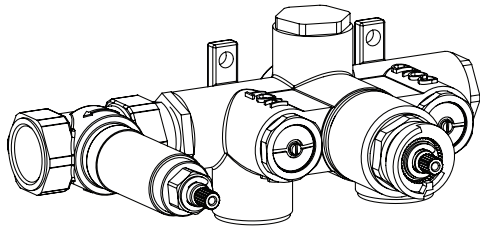
- ASME A112.18.1 / CSA B125.1



See Spec Sheet For TVH.2693 For Detailed Information On Valve.



TVH.2693 | 3/4" Horizontal Thermostatic Valve With Volume Control - For Tub or Shower Applications



SPECIFICATIONS:

- Solid Brass construction
- Single output
- Left handle controls temperature
- Right handle controls volume
- Use in tub filler or shower applications
- Thermostatic Valve Flow Rate - 8.0 GPM @ 60 PSI
- Extension Available - TVH.4101E**

STANDARDS:

- ASME A112.18.1 / CSA B125.1

Technical Diagram

