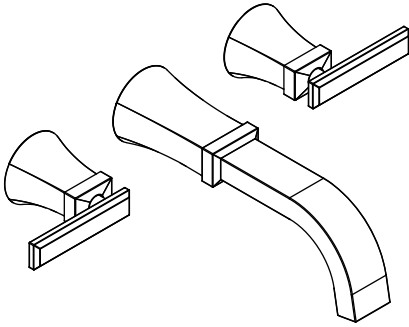


230.2450T | Three Hole Wall Mount Tub Filler- Trim Only

SPECIFICATIONS:

- Solid Brass construction
- Use with Valve (WLM.1900) - Not Included
- Three Hole Installation
- 8.0 GPM Flow Rate @ 60 PSI



STANDARDS:

- ASME A112.18.1 / CSA B125.1,



Technical Diagram

