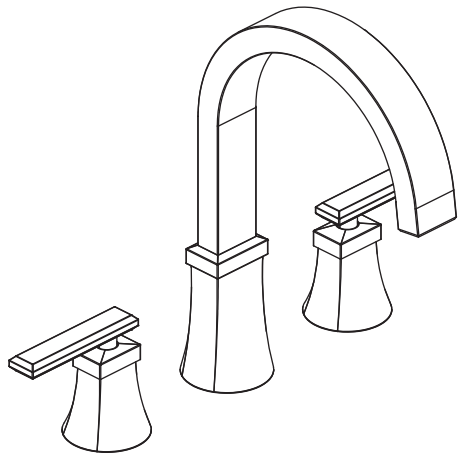


230.2410 | 3- Hole Deck Mounted Roman Tub Filler



SPECIFICATIONS:

- Solid Brass construction
- Three Hole Installation
- 11 GPM Flow Rate @ 60 PSI
- Ceramic disc cartridge allows volume control

STANDARDS:

- ASME A112.18.1 / CSA B125.1, NSF-61



Technical Diagram

