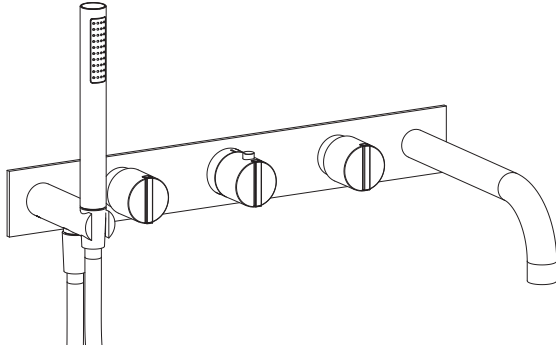


**145.2691 | Wall Mount Tub Filler Valve & Trim - 2 Volume Controls - 3/4" Thermostatic  
[Tub Spout & Hand Shower Outputs]**



**SPECIFICATIONS:**

- Wall Mount Tub Filler
- Spout Projection = 9"
- Turn center knob to set temperature
- Turn right knob to activate output 1 - Hand Shower
- Turn left knob to activate output 2 - Tub Spout
- Thermostatic Valve Flow Rate - 8.0 GPM @ 60 PSI
- Hand Shower & Tub Spout positions can be swapped

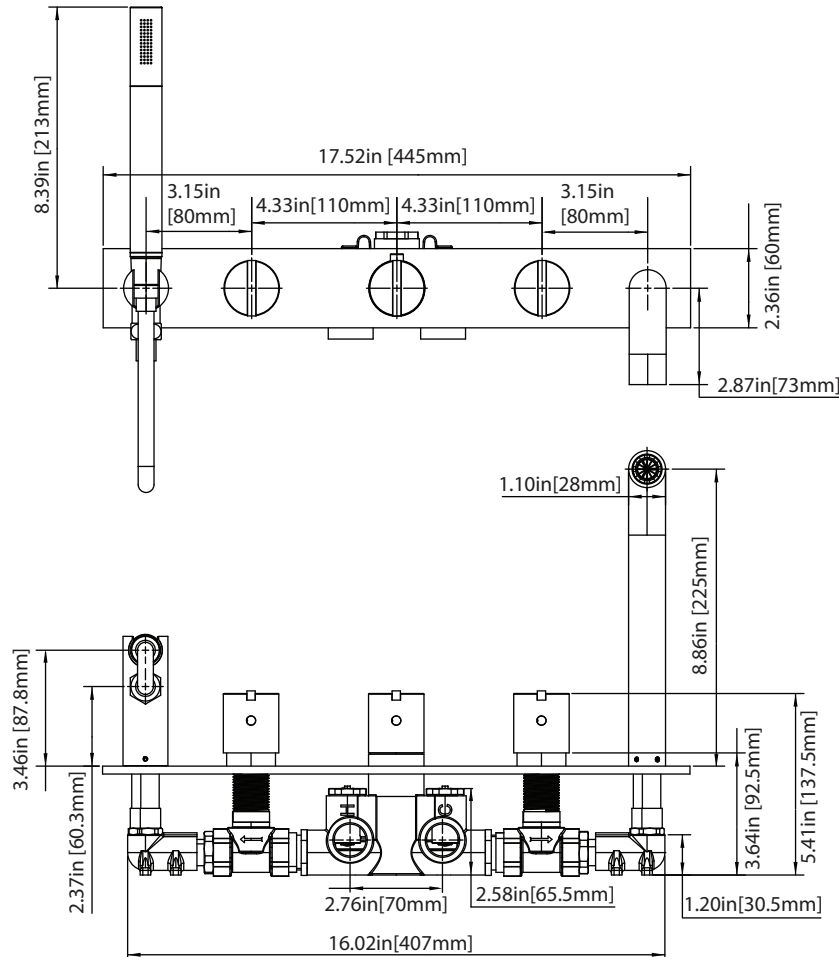
**STANDARDS:**

- ASME A112.18.1 / CSA B125.1

145.2691 Includes Valve [TVH.2691] + Trim [145.2691T\*\*]

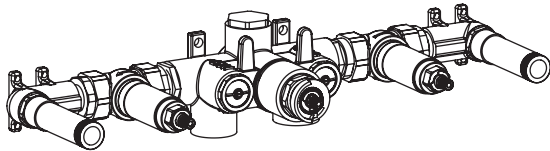
**!** See Spec Sheet For TVH.2691 For Detailed Information On Valve.

**Technical Diagram**



**Critical Dimensions in Inches - Ver 2.55**

TVH.2691 | 3/4" Thermostatic Tub Filler Valve With 2 Volume Controls [Tub Spout & Hand Shower Output] Page 1 of 2



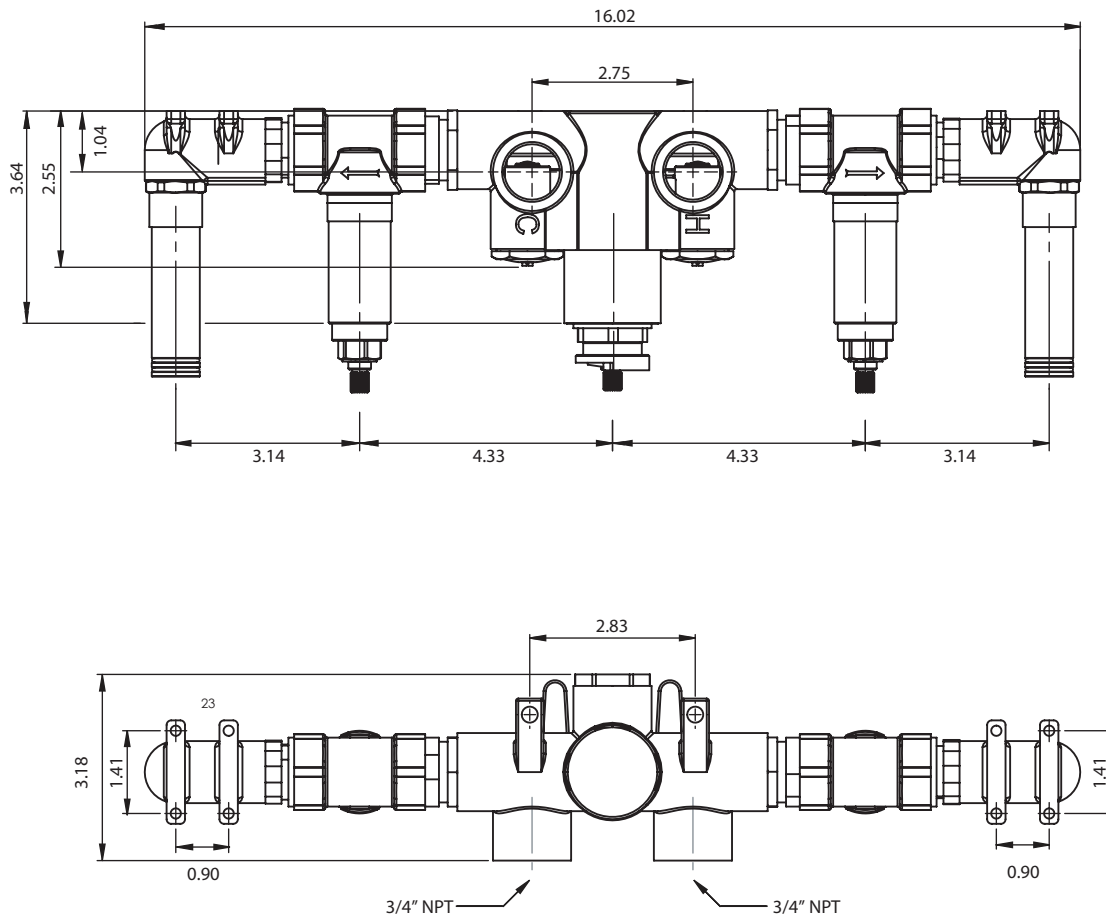
**SPECIFICATIONS:**

- Wall Mount Tub Filler
- Turn center knob to set temperature
- Turn right knob to activate output 1 - Hand Shower
- Turn left knob to activate output 2 - Tub Spout
- Thermostatic Valve Flow Rate - 8.0 GPM @ 60 PSI

**STANDARDS:**

- ASME A112.18.1 / CSA B125.1

**Technical Diagram**



**TVH.2691 | 3/4" Thermostatic Tub Filler Valve With 2 Volume Controls [Tub Spout & Hand Shower Output]** Page 2 of 2



**Water Diversion Diagram**

