

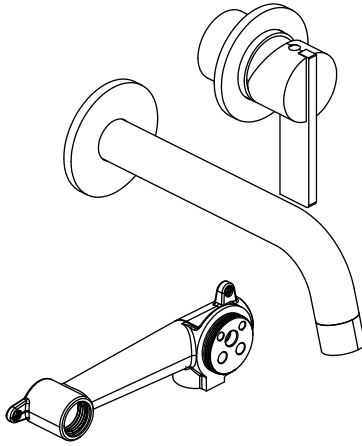
**145.1800 | Single Lever Wall Mount Faucet**

**SPECIFICATIONS:**

- Solid Brass construction - includes valve
- Extension Available - 100.1800E\*\*
- 1.2 GPM Flow Rate @ 60 PSI
- Ceramic disc cartridge allows both volume and temperature control

**STANDARDS:**

- ASME A112.18.1 / CSA B125.1, NSF-61



**FLOW**  
Efficient

**Technical Diagram**

