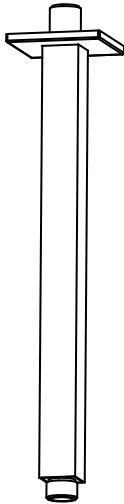


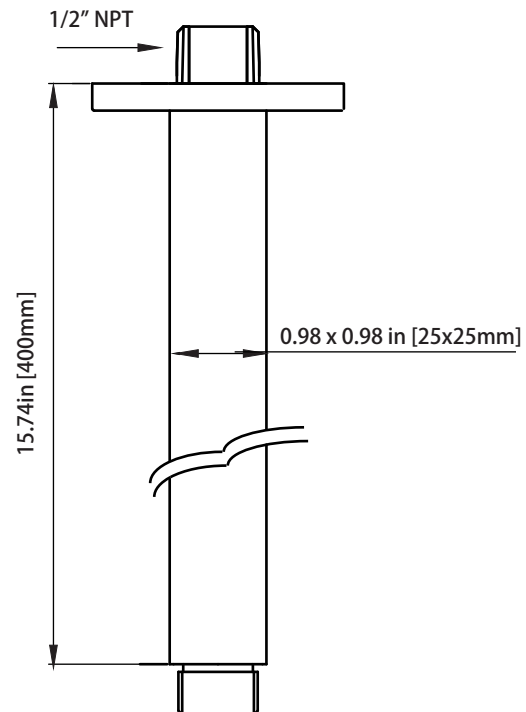
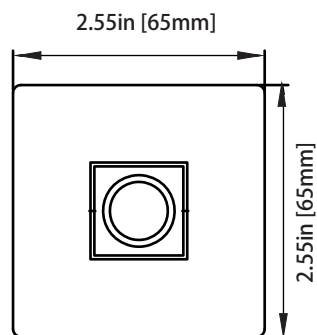
160.16CSA | Ceiling Mount Shower Arm - 16"



SPECIFICATIONS:

- Solid Brass Construction
- With Flange
- Also available in 2" (160.2CSA), 6" (160.6CSA), 8" (160.8CSA) and 12" (160.12CSA) Versions

Technical Diagram



NOT TO SCALE