

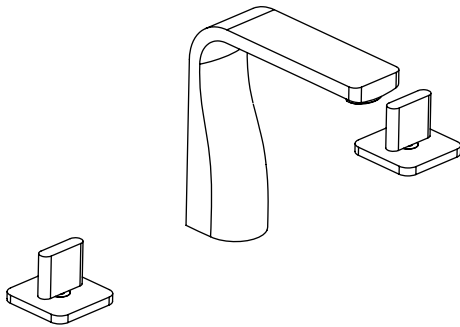
260.2000 | 8" Widespread 3-Hole Faucet

SPECIFICATIONS:

- Solid Brass construction
- Three Hole Installation
- 1.5 GPM Flow Rate @ 60 PSI (1.2 GPM For California)
- Ceramic disc cartridge allows volume control



Drain Included



STANDARDS:

- ASME A112.18.1 / CSA B125.1, NSF-61

FLOW
Efficient

Technical Diagram

