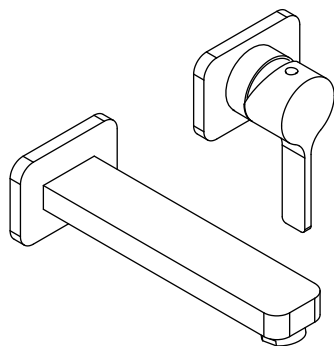


**260.1800 | Single Lever Wall Mount Faucet**



**SPECIFICATIONS:**

- Solid Brass construction - includes valve
- Wall Mount Installation
- 1.2GPM @ 60 PSI
- Ceramic disc cartridge allows both volume and temperature control
- Extension Available - 160.1800E\*\*

**STANDARDS:**

- ASME A112.18.1 / CSA B125.1, NSF-61



**Technical Diagram**

