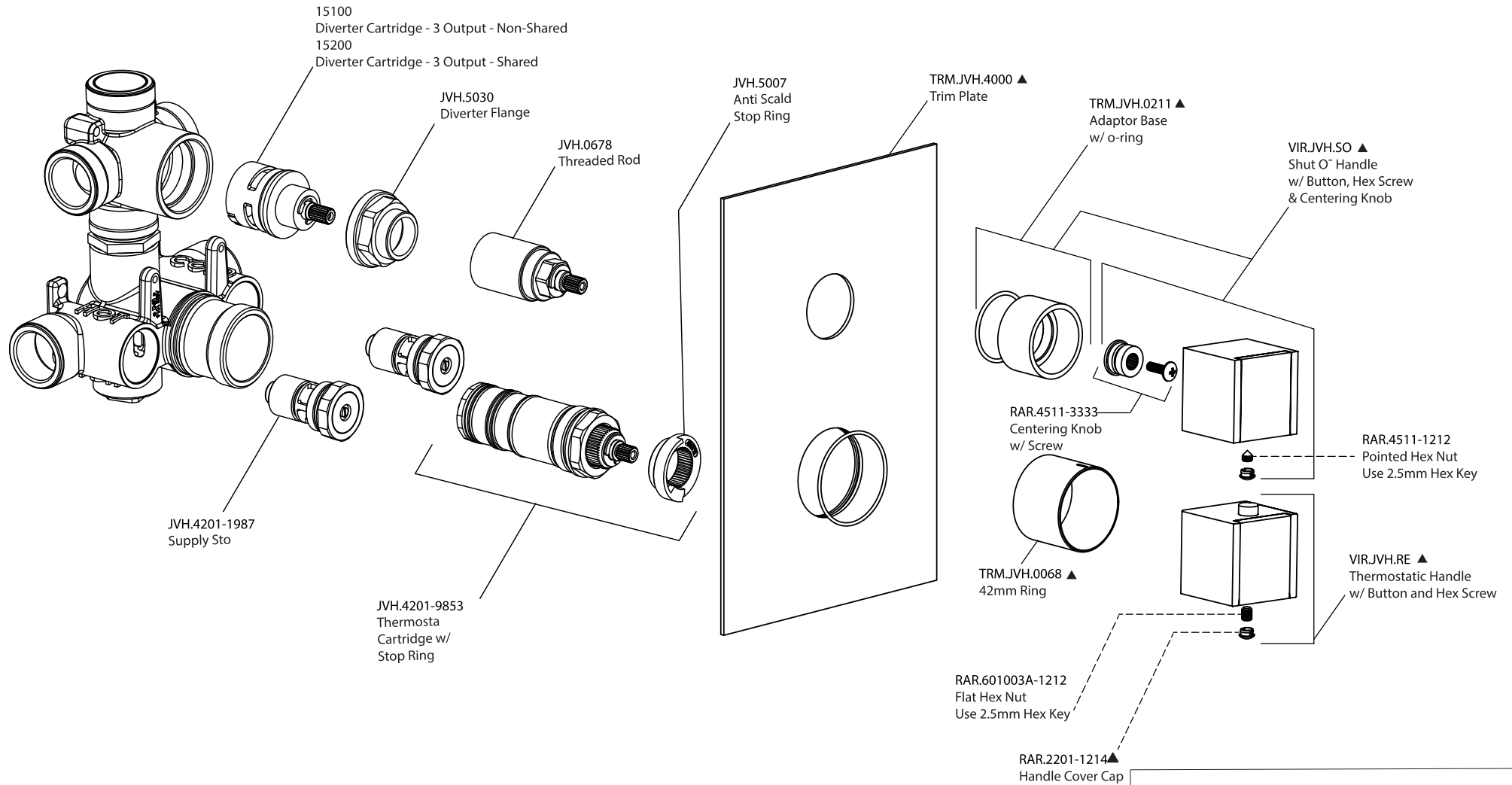
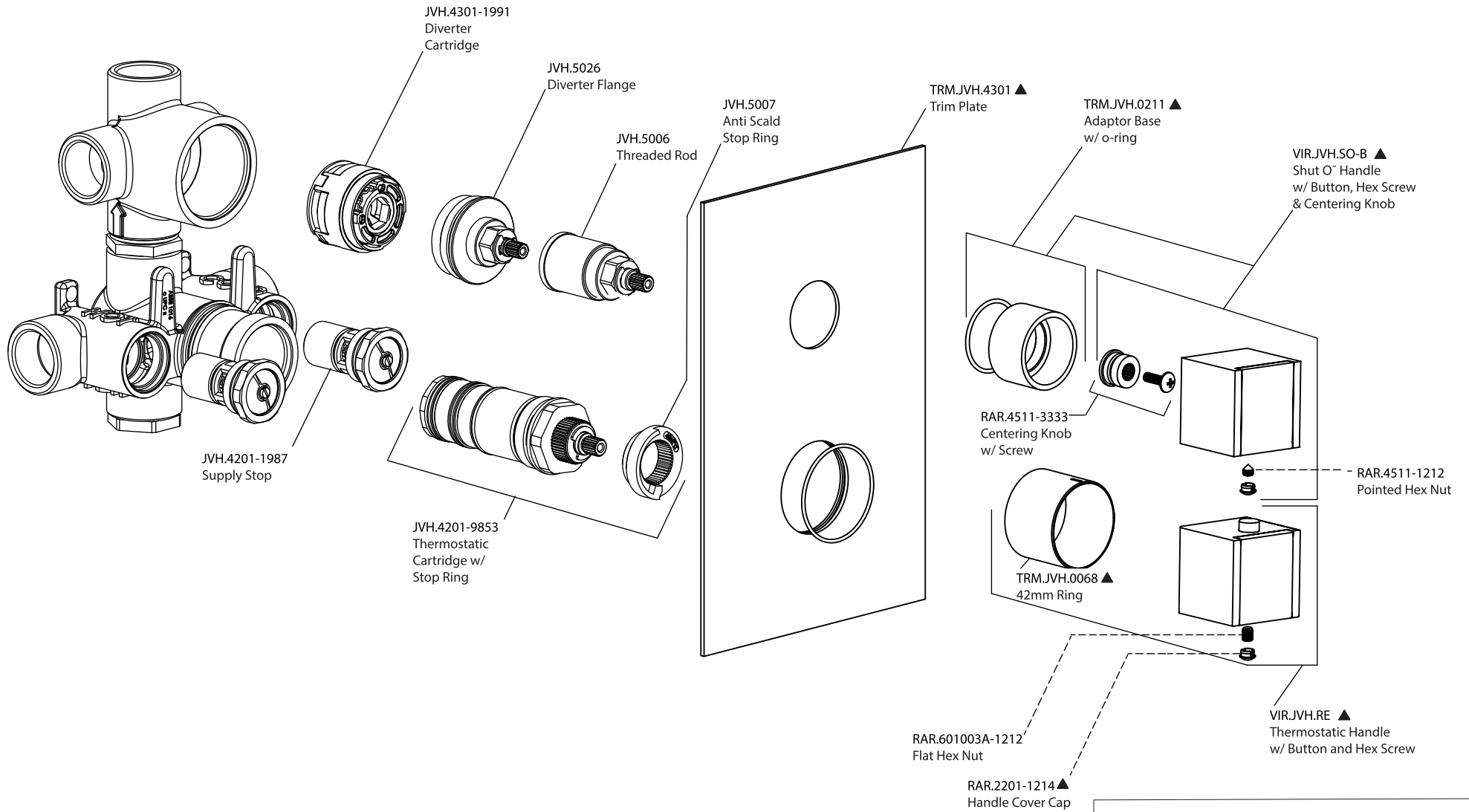


# Product Parts Breakdown Using JVH.4301F Valve



VIR.4301

# Product Parts Breakdown Using JVH.4301 Valve



VIR.4301