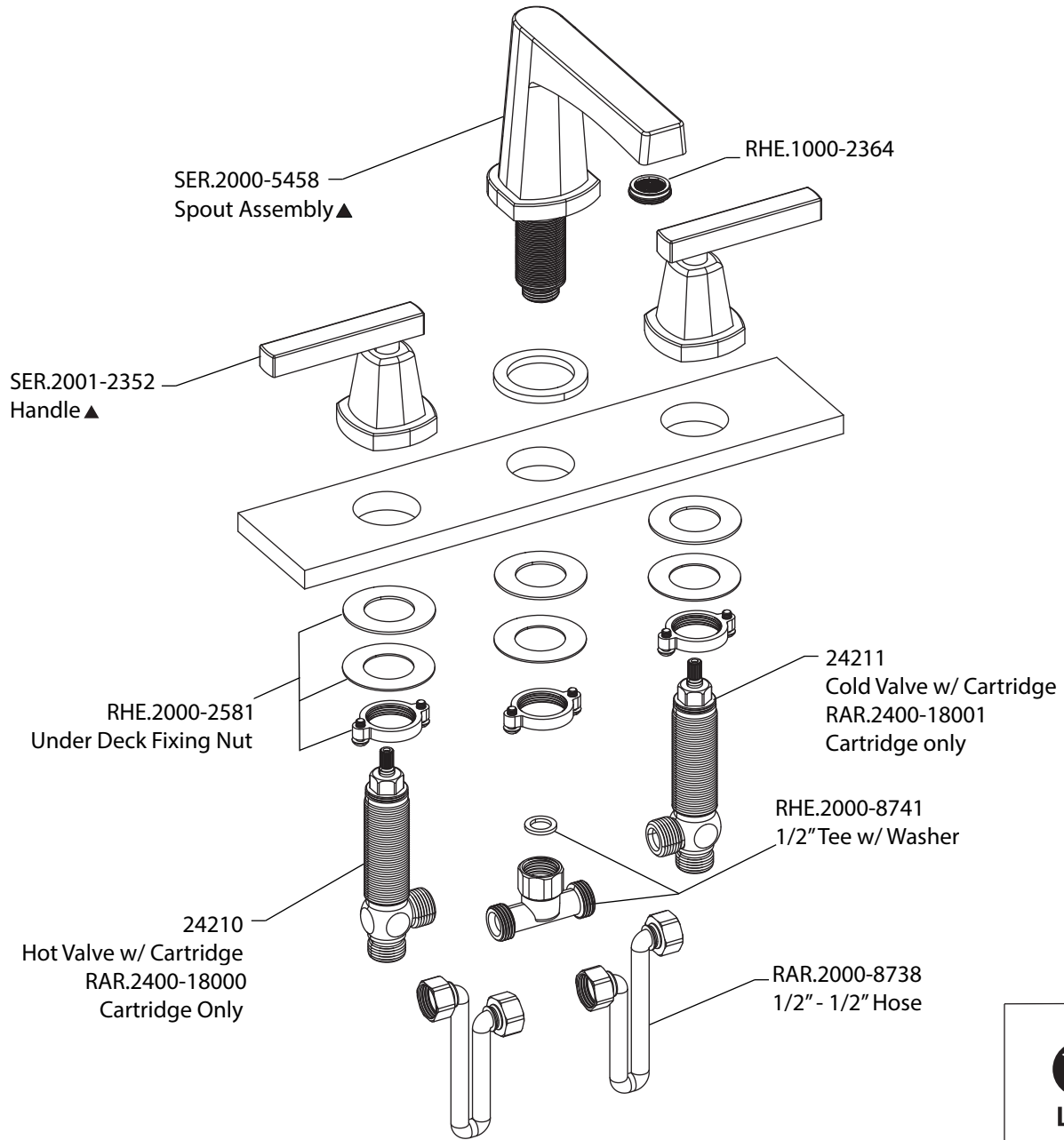


Product Parts Breakdown



SER.2001