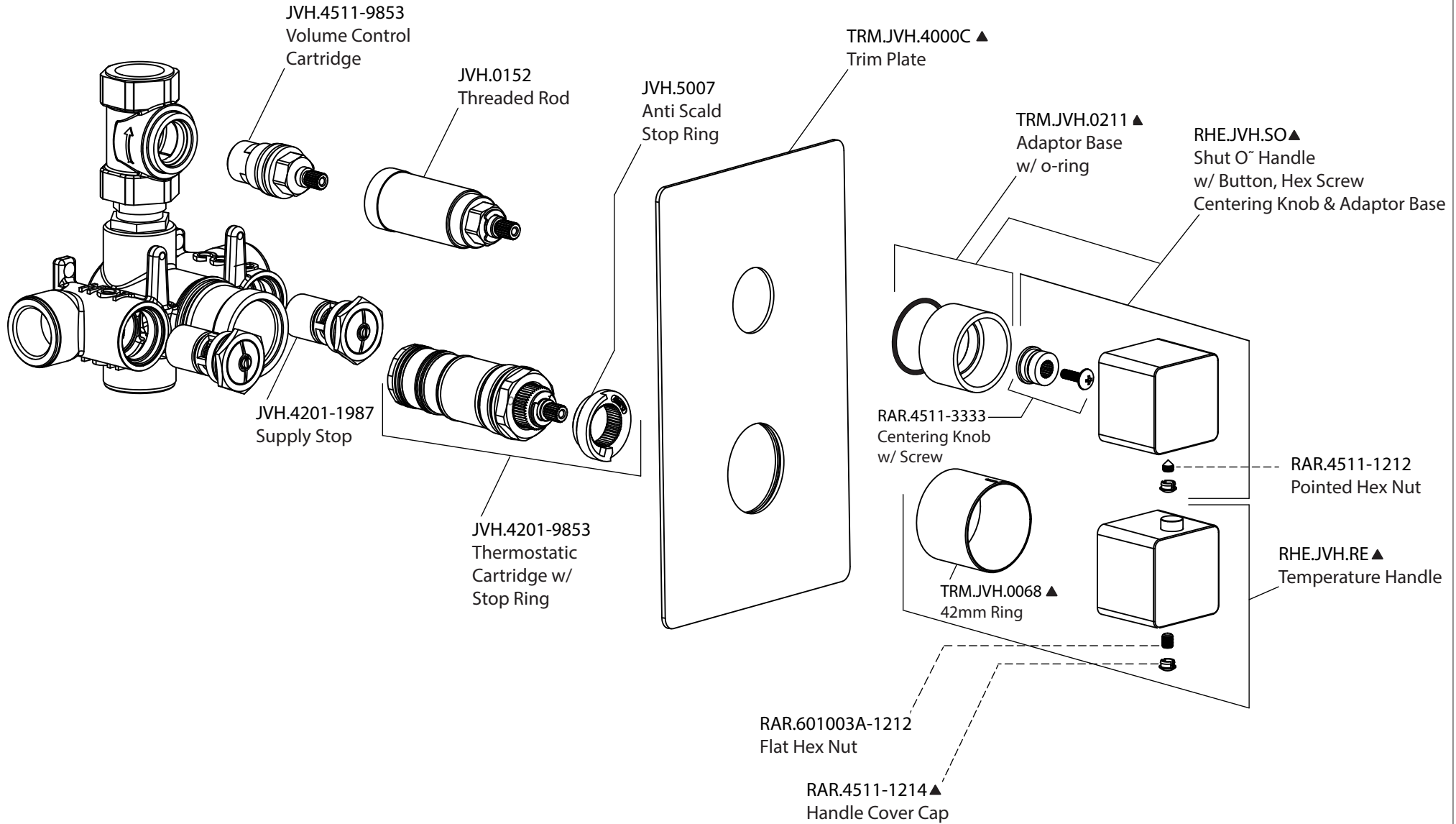


# Product Parts Breakdown



**Model No.**RHE.4101

**Ver** 2.55