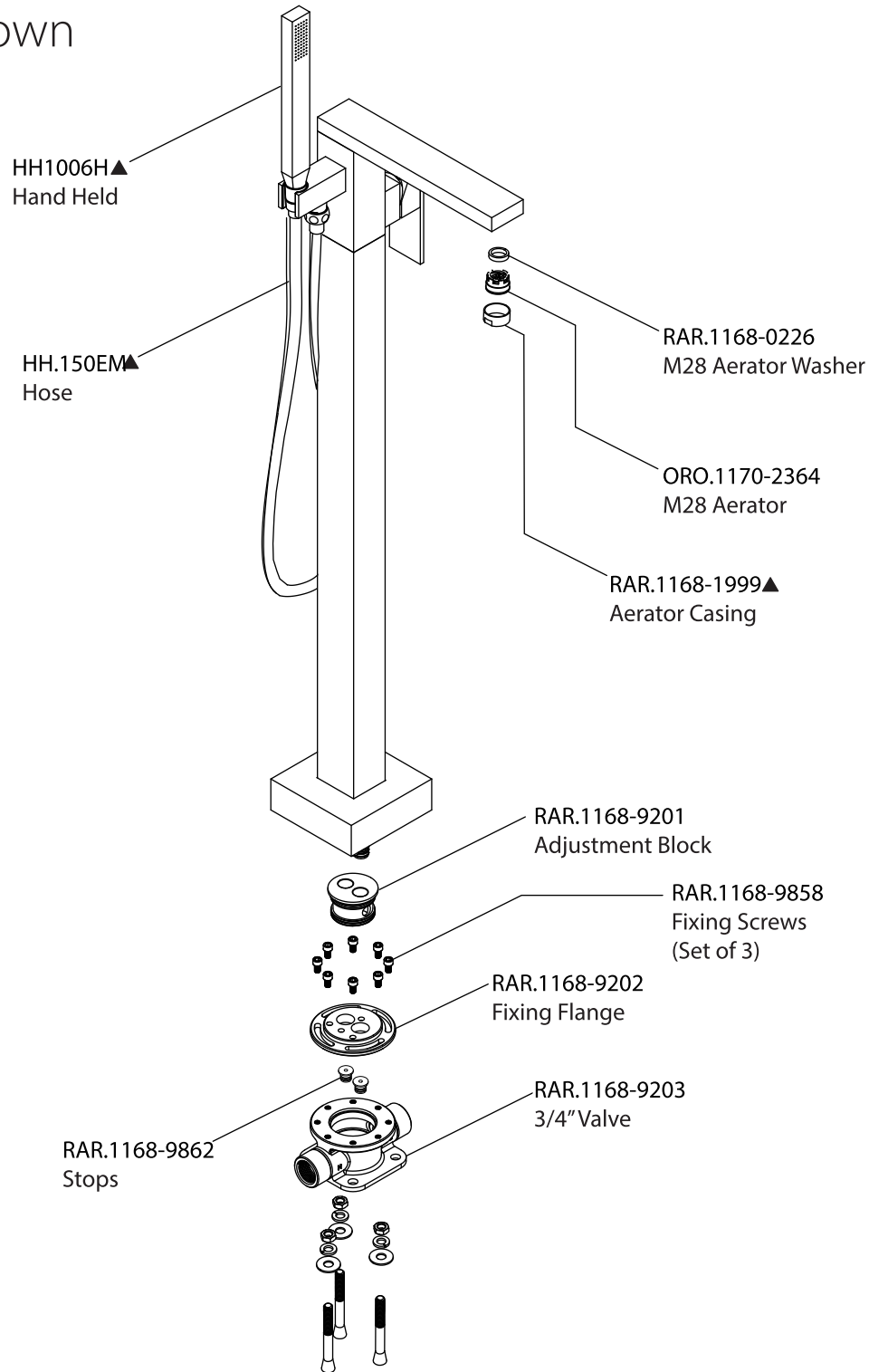


Product Parts Breakdown

(3/4" Version) Page 1 of 2

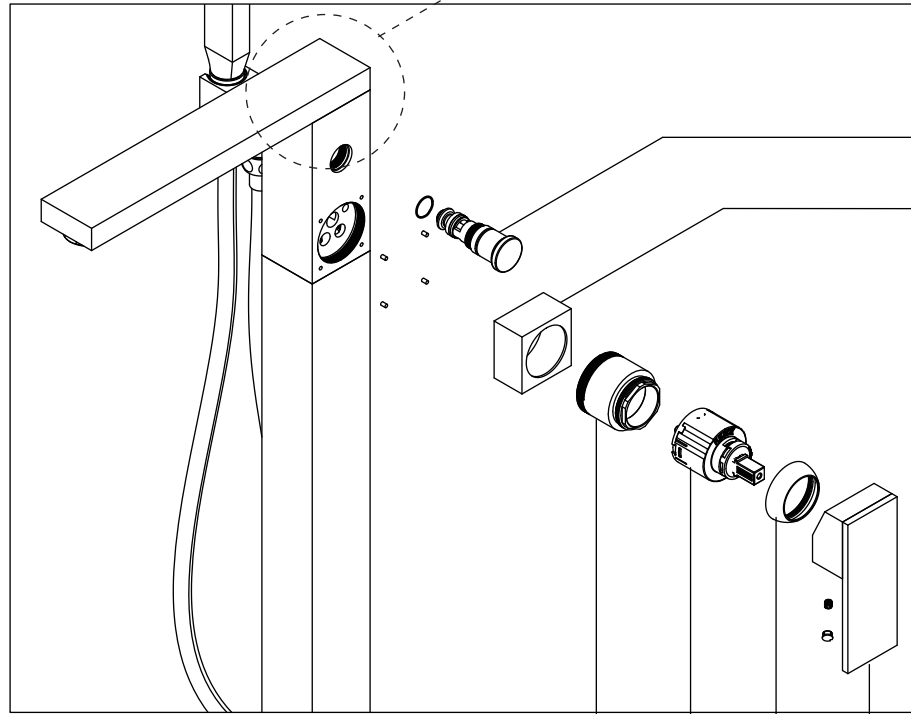


FLUSSO
LUXURY PLUMBING FIXTURES

RAR.1168

Product Parts Breakdown

(3/4" Version) Page 1 of 2



ORO.1170-199▲
Push - Pull
Diverter Assembly

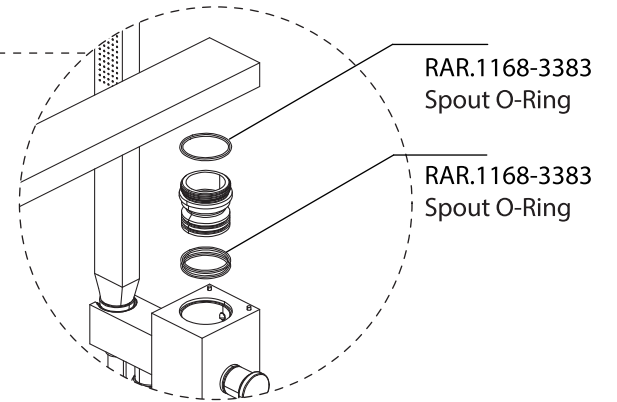
RAR.1168-9205▲
Cartridge Cover

RAR.1168-9852
Retaining Nut

ORO.1170-9853
Cartridge

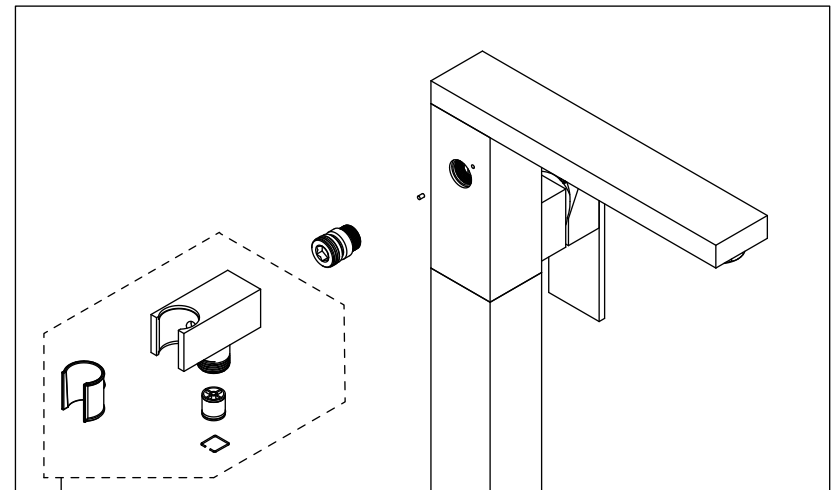
RAR.1168-9851▲
Cartridge Bezel

RAR.1168-2352▲
Handle w/ Hex
& Button



RAR.1168-3383
Spout O-Ring

RAR.1168-3383
Spout O-Ring



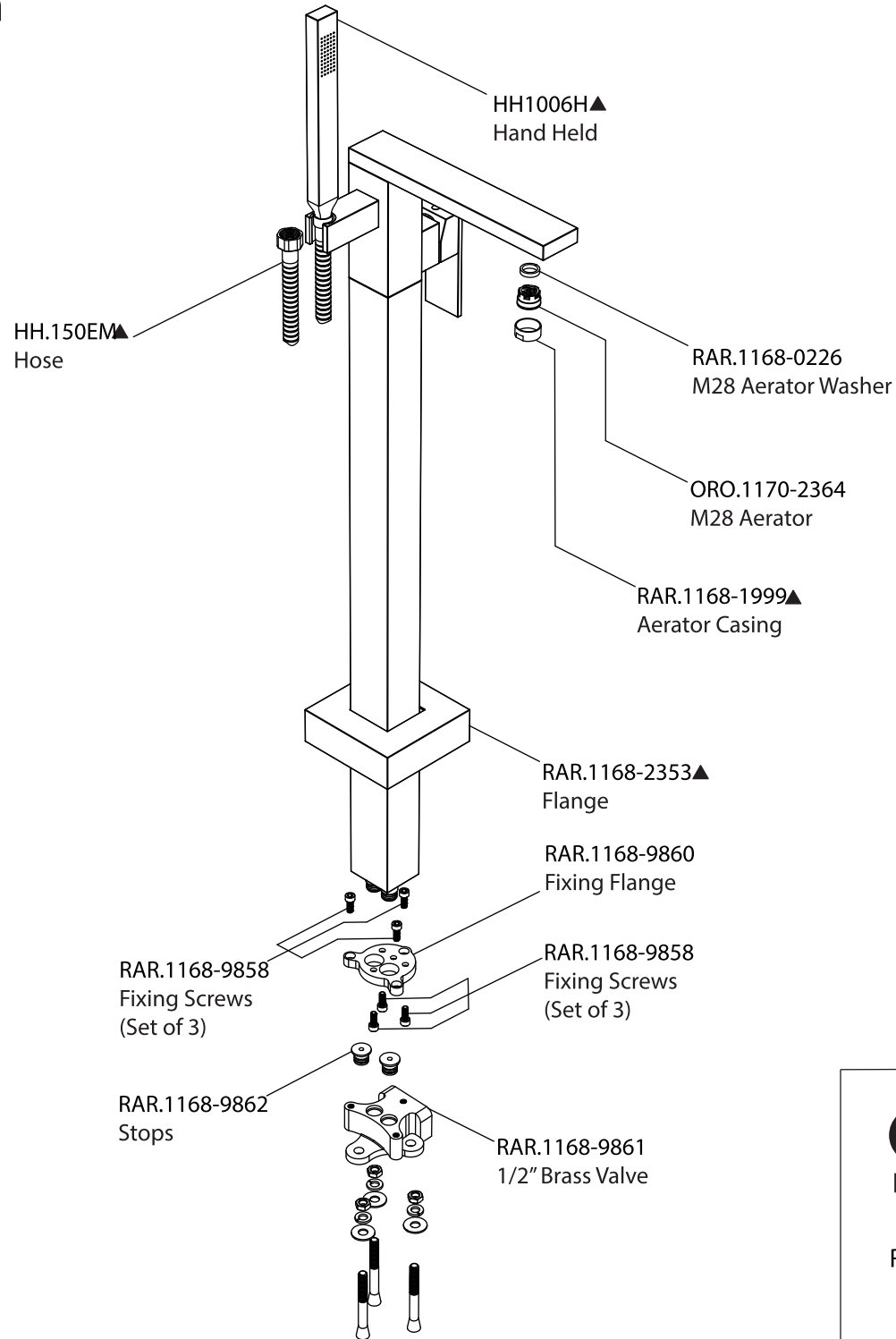
RAR.1168-2853 ▲
Hand shower holder
Unit with flow restrictor
and backflow prevention

FLUSSO
LUXURY PLUMBING FIXTURES

RAR.1168

Product Parts Breakdown

(1/2" Version) Page 1 of 2

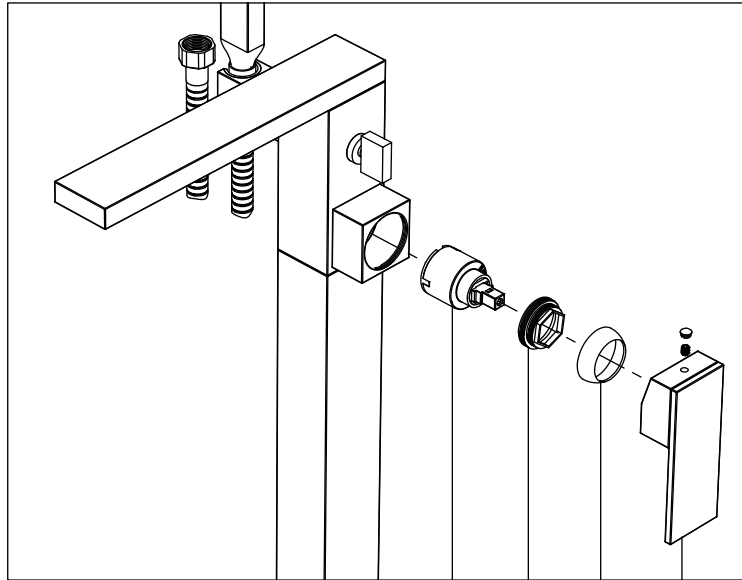


FLUSSO
LUXURY PLUMBING FIXTURES

RAR.1168

Product Parts Breakdown

(1/2" Version) Page 2 of 2



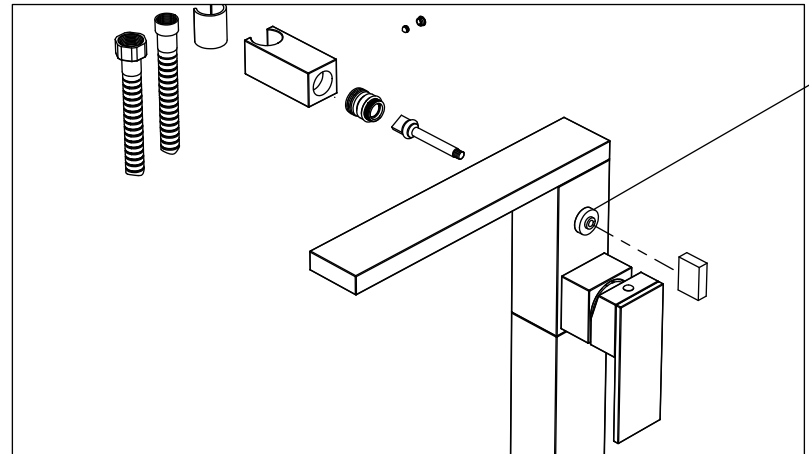
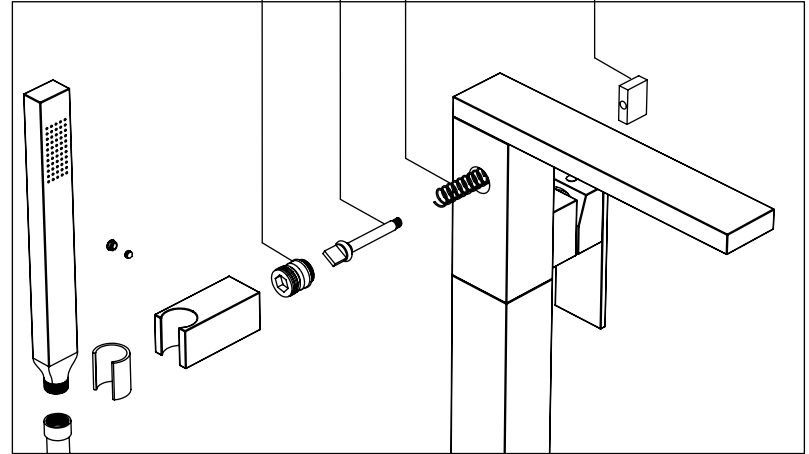
ORO.1170-9853
Cartridge

RAR.1168-9852
Retaining Nut

RAR.1168-9851▲
Cartridge Bezel

RAR.1168-2352▲
Handle w/ Hex
& Button

RAR.1168-1991▲
Push - Pull
Diverter Assembly



 **FLUSSO**
LUXURY PLUMBING FIXTURES

RAR.1168

Ver 2.58