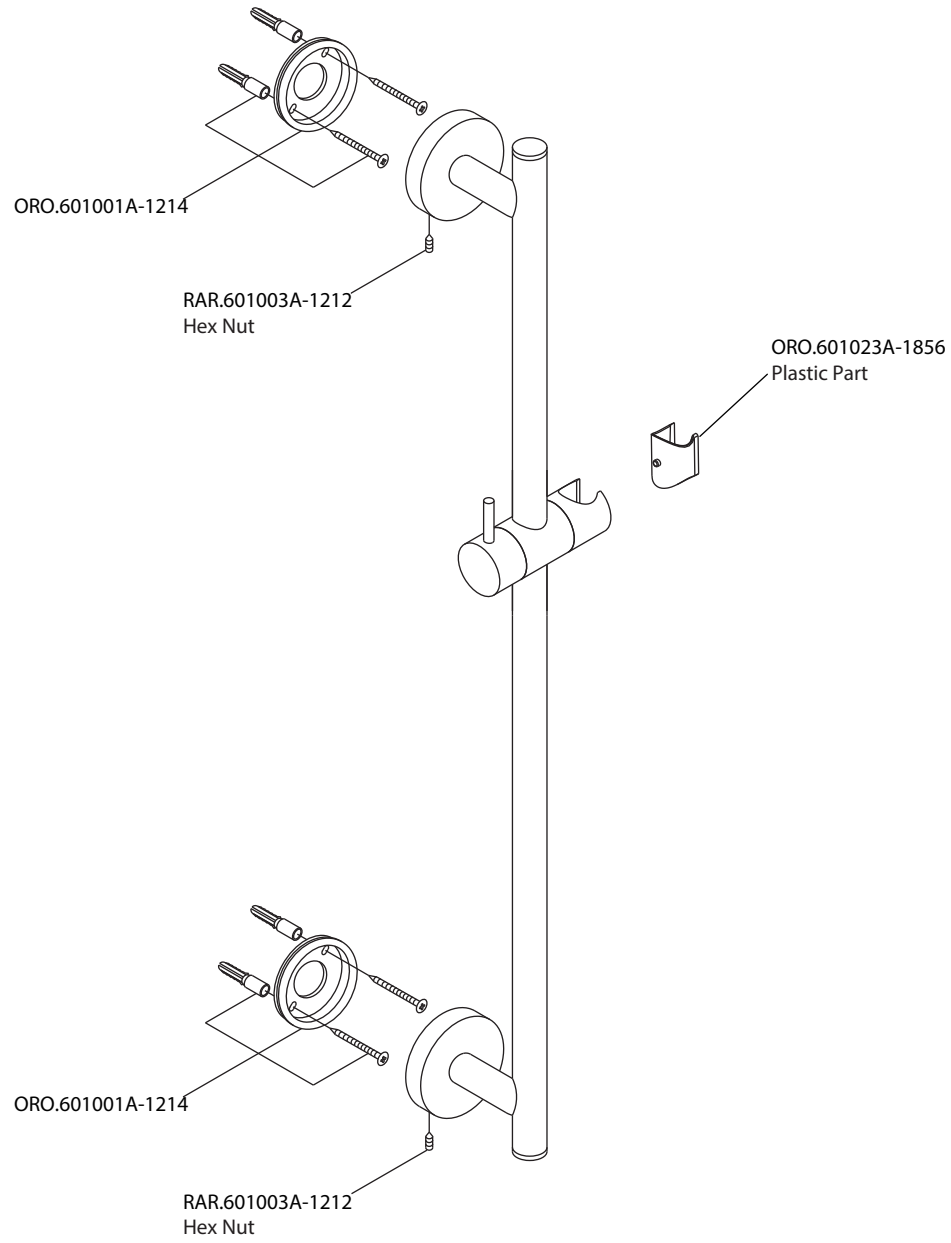


# Product Parts Breakdown



**Model No.**ORO.601001A **Ver** 2.55

